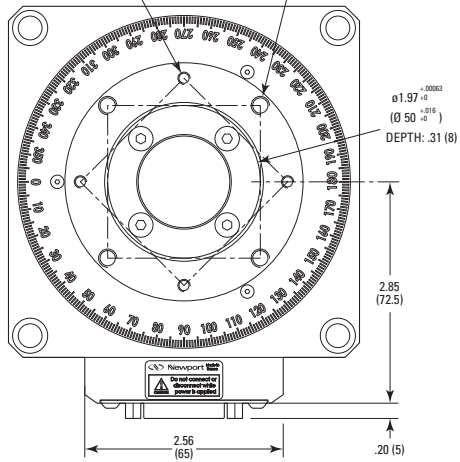
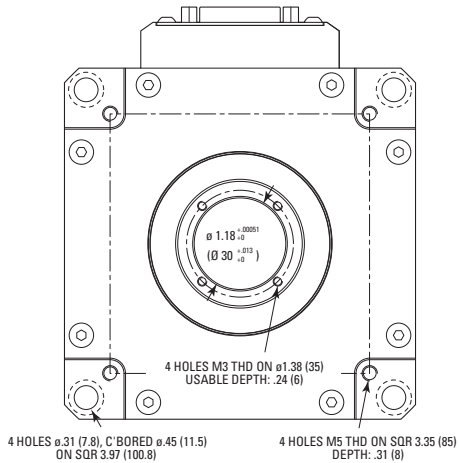
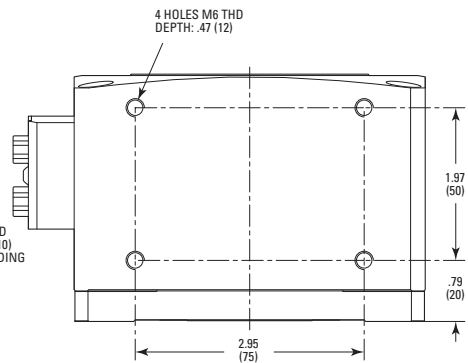
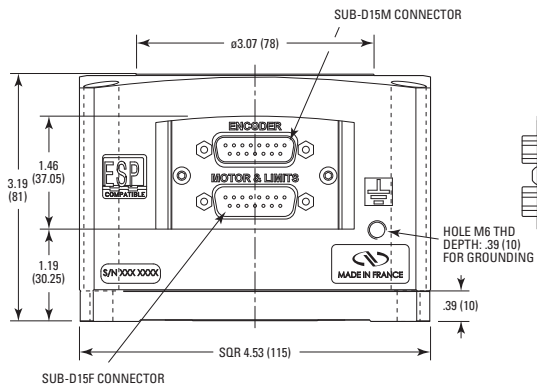


4 HOLES M4 THD ON SQR 1.89 (48)
DEPTH: .24 (6)

4 HOLES M6 THD ON SQR 1.97 (50)
DEPTH: .31 (8)



MODEL SHOWN: RGV100HL
DIMENSIONS IN INCHES (AND MILLIMETERS)



4 HOLES ϕ .31 (7.8), C' BORED ϕ .45 (11.5)
ON SQR 3.97 (100.8)

4 HOLES M5 THD ON SQR 3.35 (85)
DEPTH: .31 (8)