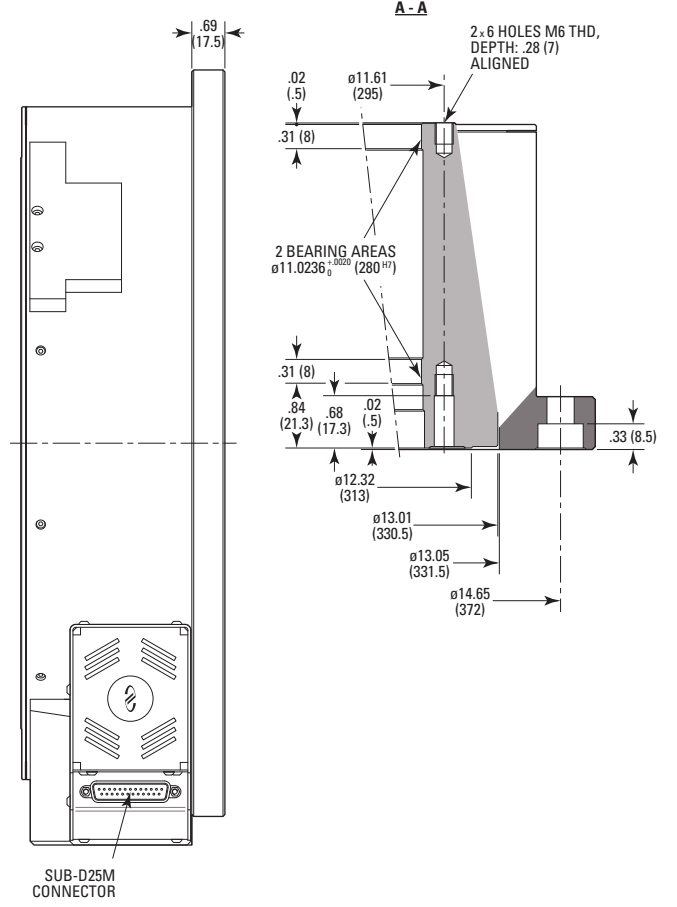
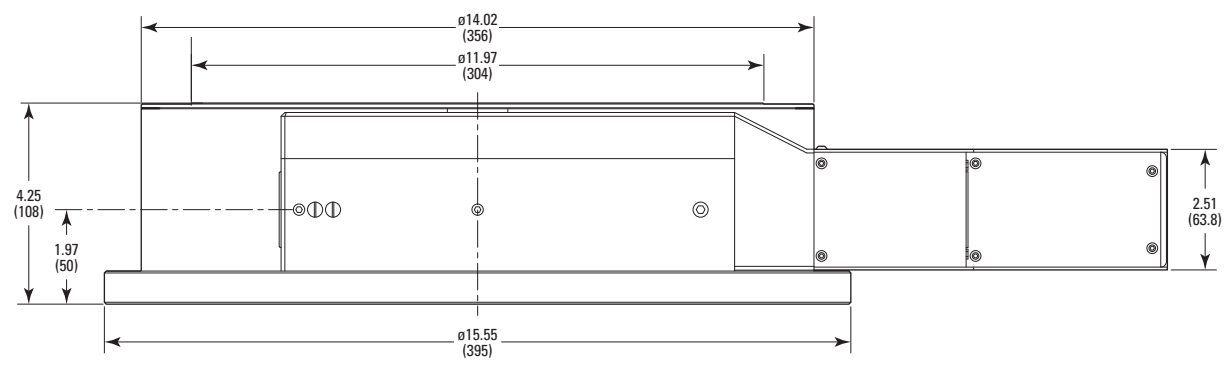
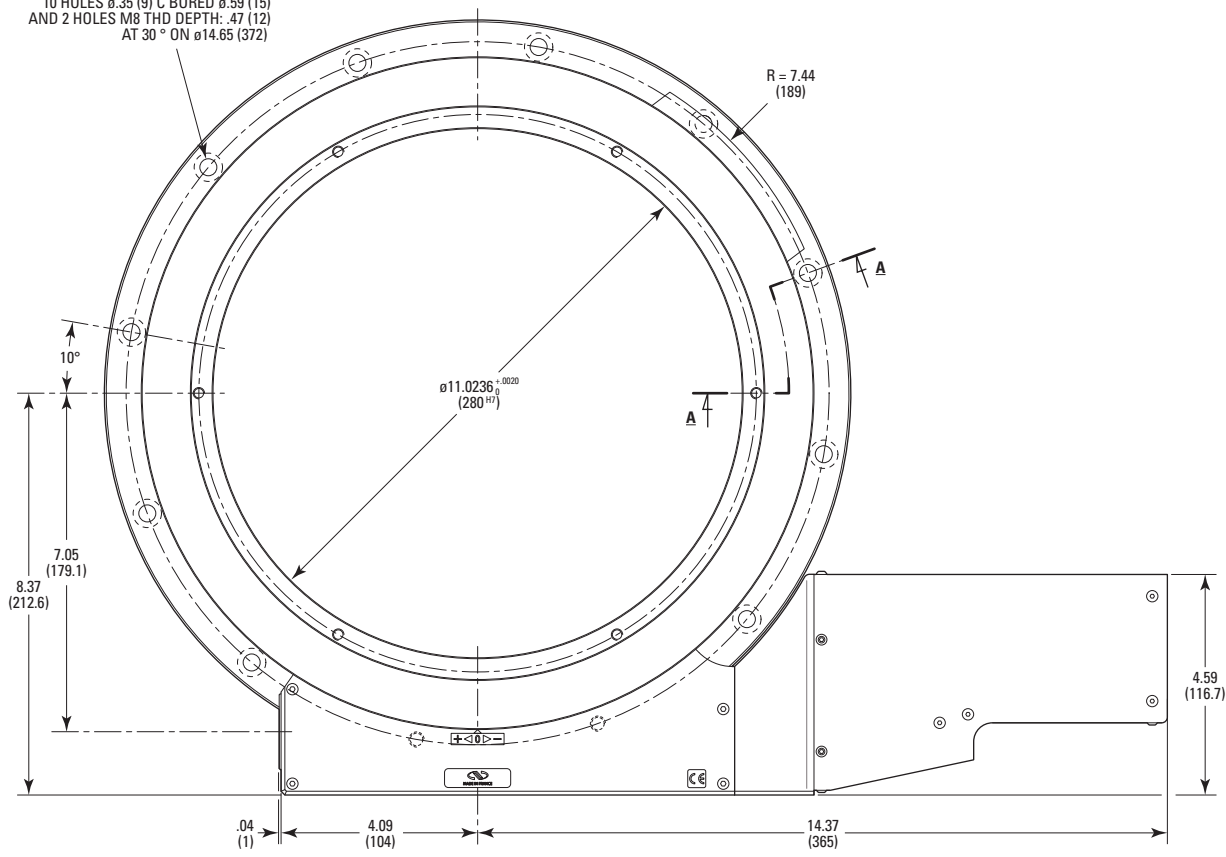


10 HOLES  $\phi .35$  (9) C'BORED  $\phi .59$  (15)  
AND 2 HOLES M8 THD DEPTH: .47 (12)  
AT 30° ON  $\phi 14.65$  (372)



SUB-D25M  
CONNECTOR

MODEL SHOWN: RV350HAT  
DIMENSIONS IN INCHES (AND MILLIMETERS)  
0 1.0 2.0 3.0 4.0 IN.  
0 50 100 (MM)  
SCALE 1:4

