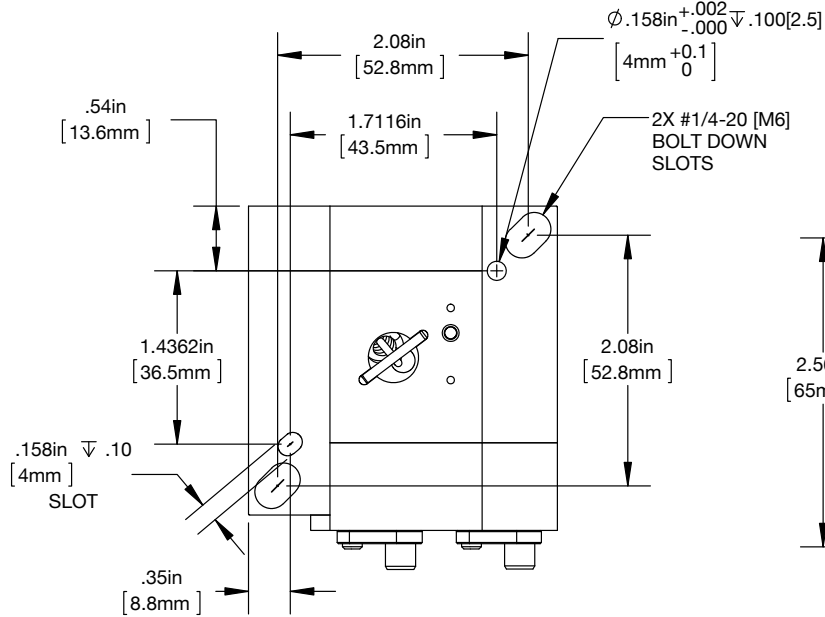
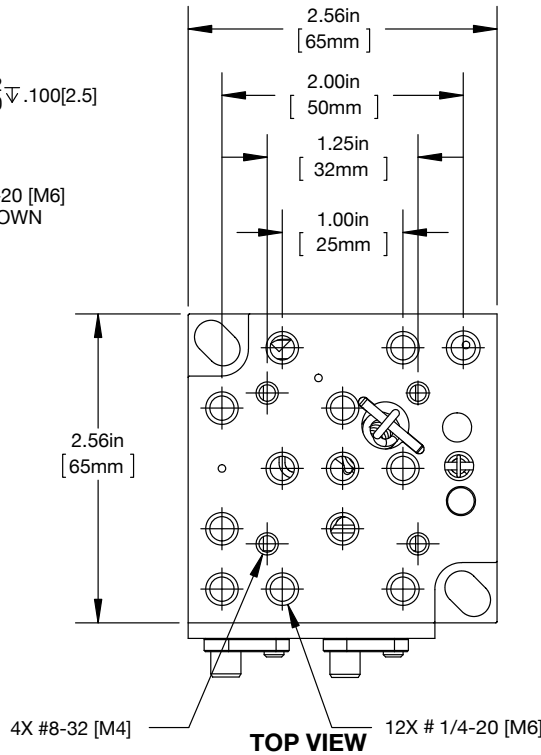


# MODEL #9063-PY [9063-PY-M] PITCH / YAW STAGE, 65mm

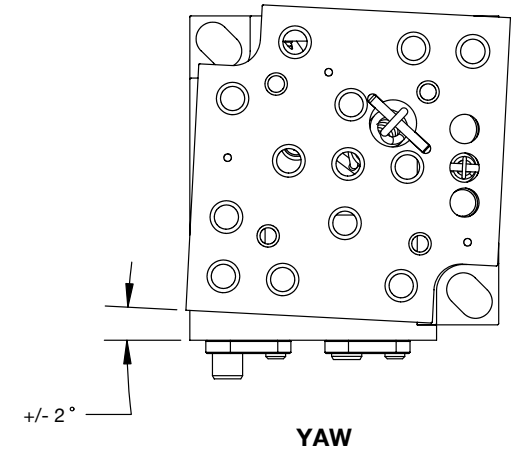
COMPATIBLE WITH 9063 SERIES GOTHIC-ARCH STAGES.  
65mm X 65mm PLATFORM, #6-32 [M4], & 1/4-20 [M6] THREADS



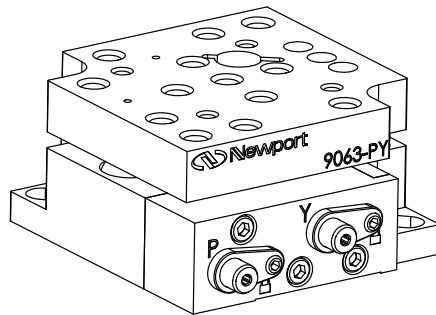
**BOTTOM VIEW**



**TOP VIEW**

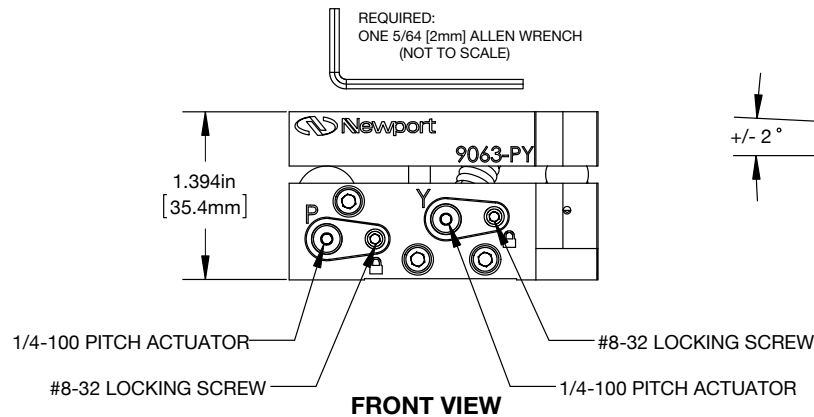


**YAW**

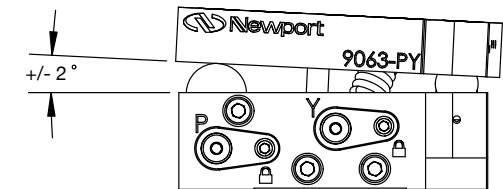


**ISO VIEW**

REQUIRED:  
ONE 5/64 [2mm] ALLEN WRENCH  
(NOT TO SCALE)



**FRONT VIEW**



**PITCH**

THIRD ANGLE  
PROJECTION