



150 Long Beach Boulevard
Stratford, CT 06615
Phone: (203) 377-8282
(800) 714-5393
Fax: (203) 378-2457
E-MAIL: oriel.sales@newport.com

SERIES Q HOUSING

MODELS 60000, 60030



USER MANUAL

Please read these instructions completely before operating this equipment. The specification and operating instructions apply only to the model(s) covered by this manual. If there are any questions or problems regarding the use of this equipment, please contact Newport or the representative from whom this equipment was purchased.

Rev: 07.31.13

TABLE OF CONTENTS

1.	INTRODUCTION	4
2.	SAFETY CONSIDERATIONS	9
	2.1 RADIATION	9
	2.2 LAMP EXPLOSION - XENON AND MERCURY ARC LAMPS	9
	2.3 OZONE	10
	2.4 ELECTRICAL	10
	2.5 EMI	11
	2.6 HEAT	11
3.	GENERAL DESCRIPTION	12
	3.1 LAMP AND REFLECTOR ADJUSTMENTS	12
	3.2 LAMP COOLING	12
	3.3 OPTIONAL CONDENSING LENS ASSEMBLIES	12
	3.4 MOUNTING	12
4.	CONFIGURATION OPTIONS AND ACCESSORIES	15
	4.1 INTERFACE KITS	15
5.	ARC LAMP KIT MODEL 60010, 66017	17
	5.1 INSTALLATION OF ARC LAMP INTERFACE KIT	17
	5.2 INSTALLATION OF SOCKET ADAPTERS AND ARC LAMPS	17
	5.3 ELECTRICAL CONNECTIONS	17
	5.4 INSTALLATION OF VENTS	20
	5.5 REASSEMBLE Q-HOUSING SHELL	20
6.	ARC LAMP KIT MODEL 60025	21
	6.1 INSTALLATION OF ARC LAMP INTERFACE KIT, MODEL 60025	21
	6.2 INSTALLATION OF SOCKET ADAPTERS AND ARC LAMPS	21
	6.3 ELECTRICAL CONNECTIONS	21
	6.4 INSTALLATION OF INTERLOCK ACTUATOR	23
	6.5 INSTALLATION OF VENTS	23
	6.6 REASSEMBLE Q-HOUSING SHELL	23
7.	QTHAND IR ELEMENT INTERFACE KIT MODEL 60020	25
	7.1 INSTALLATION OF THE LAMP INTERFACE KIT	25
	7.2 INSTALLATION OF SOCKET ADAPTER LAMPS & IR ELEMENTS	25
	7.3 REASSEMBLE THE Q-HOUSING SHELL	25
8.	DEUTERIUM INTERFACE KIT MODEL 60093	27
	8.1 INSTALLATION OF THE LAMP INTERFACE KIT	27
	8.2 INSTALLATION OF SOCKET ADAPTER AND LAMP	27
	8.3 REASSEMBLE THE Q-HOUSING SHELL	28
9.	DEUTERIUM INTERFACE KIT MODEL 60023	30
	9.1 INSTALLATION OF THE LAMP MOUNT AND DEUTERIUM INTERFACE PANEL	30
	9.2 DEUTERIUM LAMP INSTALLATION	30
	9.3 ELECTRICAL CONNECTIONS	30
	9.4 REASSEMBLE THE Q HOUSING SHELL	30
10.	PULSED DEUTERIUM INTERFACE KIT MODEL 60024	32
	10.1 INSTALLATION OF INTERFACE KIT	32
	10.2 REASSEMBLE THE Q-HOUSING	32
11.	CAPILLARY AND GUIDED LAMP INTERFACE KIT MODEL 66015, 66016	34
12.	QTHAND IR INTERFACE KIT MODEL 60090	36
	12.1 INSTALLATION OF THE LAMP INTERFACE KIT	36
	12.2 INSTALLATION OF SOCKET ADAPTER, LAMP & IR ELEMENTS	36
	12.3 REASSEMBLE THE Q-HOUSING SHELL	36
13.	ADJUSTMENT OF LAMP, MIRROR AND LENS WITH THE 60005 REFLECTORASSEMBLY	38
	13.1 GENERAL	38
	13.2 ADJUSTMENTS PRIOR TO OPERATION	38
	13.3 ADJUSTMENT DURING OPERATION	38
	13.4 LAMP OPERATION AND COOLING	39

14.	LIGHT COLLECTION	40
14.1	COLLIMATED BEAMS	41
14.2	IMAGING THE SOURCE	42
14.3	UNIFORMITY	43
14.4	REAL LENSES	44
	SPHERICAL ABERRATION	44
	CHROMATIC ABERRATION	45
14.5	HOW DO YOU POSITION THE CONDENSER TO GET A COLLIMATED BEAM?	45
15.	ADDITIONAL OPTIONS FOR THE Q-HOUSING	46
15.1	ADAPTER KIT FOR INTENSITY CONTROLLER SYSTEM	46
15.2	HEAT ISOLATOR ADAPTER KIT	47
15.3	ELECTRONIC SAFETY SHUTTER	47
16.	TROUBLESHOOTING	49
16.1	INTRODUCTION	49
16.2	PROBLEMS	49
17.	DECLARATION OF CONFORMITY	51
18.	WARRANTY AND RETURNS	52

LIST OF FIGURES

Figure 1 :	Various Light Collection Options for the Series Q Housing.....	7
Figure 2 :	60030 Hinged Q Housing.....	8
Figure 3 :	Series Q Housing and Components.....	13
Figure 4 :	Dimensional.....	14
Figure 5 :	Mounting Arc Lamp Interface to Series Q Housing.....	16
Figure 6 :	Interface Kit 60010.....	18
Figure 7 :	Arc Lamp Orientation.....	19
Figure 8 :	Series Q-Housing with Vents.....	20
Figure 9 :	Series Q-Housing 60025 Interface Kit.....	22
Figure 10 :	Series Q-Housing with Vents and Interlock.....	24
Figure 11 :	QTH Glower Mounting Configuration.....	26
Figure 12 :	60093 Interface Kit.....	29
Figure 13 :	Deuterium Lamp Mounting Configuration.....	31
Figure 14 :	Pulsed Deuterium Lamp Mounting.....	33
Figure 15 :	Model 6426 0.32 Joule Guided Arc Lamp.....	34
Figure 16 :	Pulsed Arc Lamp Mounting.....	35
Figure 17 :	60090 Interface Kit Assembly.....	37
Figure 18 :	The electrodes as viewed on a screen in front of the condenser lens are inverted (right).	39
Figure 19 :	Correctly positioned reflector overlays the inverted arc image on the arc gap.....	39
Figure 20 :	Collimated Beam.....	41
Figure 21 :	A source focused to a smaller image.....	42
Figure 22 :	The collimate output of a 200W Hg lamp in the vertical and horizontal planes.....	43
Figure 23 :	Spherical Aberration.....	44
Figure 24 :	Chromatic aberration: different wavelengths are focused at different points.....	45
Figure 25 :	Typical Intensity Controller System.....	46
Figure 26 :	68954 Adapter Kit Mounting to the Q Series Housing.....	47

1. INTRODUCTION

The 60000 Series Q is a modular, convectively cooled lamp housing with four output ports. The lamp base has external knobs to allow lamp position adjustment during operation in X, Y, Z directions.

Since the product is fanless, free of airborne noise, and accommodates light sources up to 100 W, the exterior has been designed with cooling fins to reduce heat through natural convection.

The 60000 can accommodate 16 light sources with several mounting arrangements. The housing can be converted, by the user, to operate arc, tungsten halogen, and deuterium lamps as well as IR sources. Table 1 shows the appropriate interface kit and socket adapter for each lamp. Complete Series Q Housings with a choice of lamp (and mount) are available. See Newport catalog for specific configurations.

A number of accessories can be used in conjunction with the Series Q. One or more adjustable reflectors can be mounted on the output ports to maximize light output. Similarly, lens assemblies are available to collimate the radiation or re-image the source. Figure 1 shows the various configurations.

The model 60030 is a specialized arc lamp version Q housing that incorporates a hinged cover. Swing the cover open and you'll be able to install or replace your lamp without having to remove the outer shell and disturb any connected equipment. Built into the 60030 is our CE marked arc lamp ignitor and interface kit. Three output ports allow integration of the same accessories as the standard 60000 although the port count is reduced from 4 to 3. The 60030 uses the same arc lamps and adapters as the standard 60000.

Please check the Manuals section of our web site for any updates to this document.

Table 1: APPROPRIATE INTERFACE KIT AND SOCKET ADAPTERS

DC Arc Lamps					
Source Type	Lamp	Required Components			
		Series Q Housing	Interface Kit	Socket Adapter	Power Supply
75 W Xe	6251N S	60000 Series Q Housing with 4 ports (up to 4 condensers, 2 rear reflector assemblies)	60025	60014	69907
75 W Xe Ozone Free	6263		60025	60014	69907
50 W Hg	6282	60030 Q Housing with 3 ports (up to 3 condensers, 1 rear reflector assembly)	60025	60013	69907
100 W Hg	6281		60025	60012	69907
100 W Xe	6257		60025	60014	69907

Pulsed Arc Lamps					
Source Type	Lamp	Required Components			
		Series Q Housing	Interface Kit	Socket Adapter	Power Supply
0.32 J Guided Xe	6426	60000 Series Q Housing with 4 ports (up to 4 condensers, 2 rear reflector assemblies)	66016 *	60018	68825 *
0.5 J Large Bulb Xe	6427		66017 *	60019	68826 *

Deuterium Lamps					
Source Type	Lamp	Required Components			
		Series Q Housing	Interface Kit **	Power Supply	
				Basic Model	Full Featured Model
30W High Uniformity Ozone Free	63161	60000 Series Q Housing with 1 condenser	60023 *		68840 *
			60093	68942	
30 W High Uniformity, Full Spectrum	63162		60023 *		68840 *
			60093	68942	
30 W High Irradiance, Full Spectrum	63163		60023 *		68840 *
			60093	68942	
30 W High Irradiance and Stability, Ozone Free	63165		60023 *		68840 *
			60093	68942	

* Not CE marked.

** DC Deuterium lamp interface kits include the socket adapter.

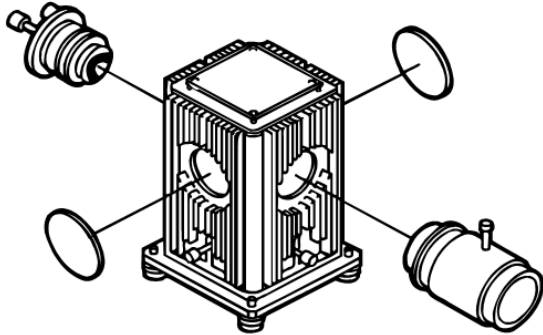
Quartz Tungsten Halogen (QTH) Lamps						
Source Type	Lamp	Required Components				
		Series Q Housing	Interface Kit	Socket Adapter	Power Supply	
					Basic Model	Full Featured Model
10 W	6318	60000 Series Q Housing with 4 ports (up to 4 condensers, 2 rear reflector assemblies)	60090	60042 (H) 60045 (V)	68938	
20 W	6319		60090	60042 (H) 60045 (V)	68938	
50 W short filament	6332		60090	60043 (H) 60046 (V)	68938	69931
50 W long filament	6337		60090	60043 (H) 60046 (V)	68938	69931
100 W	6333		60090	60043 (H) 60046 (V)	68938	69931

(H) indicates lamp is mounted horizontally.

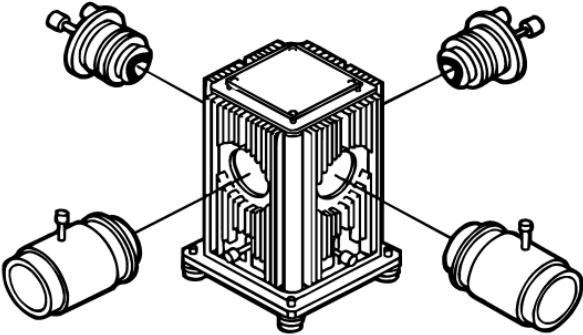
This mounting configuration is best suited for imaging the filament onto vertical monochromator slits.

(V) indicates lamp is mounted vertically.

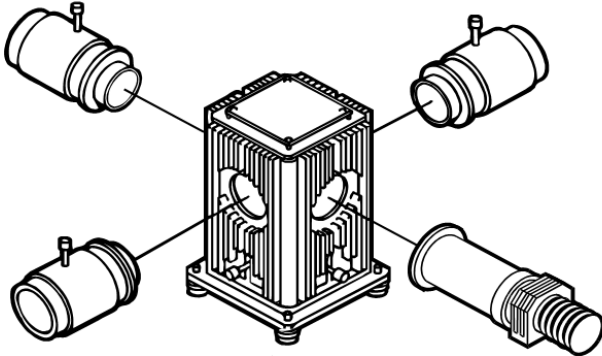
Infrared Sources					
Source Type	Source Model	Required Components			
		Series Q Housing	Interface Kit	Socket Adapter	Power Supply
IR Emitter	6363	60000 Series Q Housing with 4 ports (up to 4 condensers, 2 rear reflector assemblies)	60090	60041	68938
Ceramic Element	6575		60090	60048	68938
Low Cost Ceramic Element	6580		60090	60048	68938
Miniature IR Element	6581		60090	60048	68938



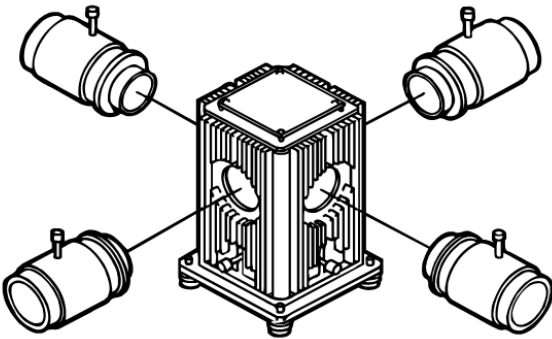
SERIES Q HOUSING WITH 1 CONDENSER AND 1 REAR REFLECTOR.



SERIES Q HOUSING WITH 2 CONDENSERS AND 2 REAR REFLECTORS.



SERIES Q HOUSING WITH 3 CONDENSERS AND 68850 LIGHT INTENSITY CONTROL SYSTEM.



SERIES Q HOUSING WITH 4 CONDENSERS.

Figure 1 : Various Light Collection Options for the Series Q Housing

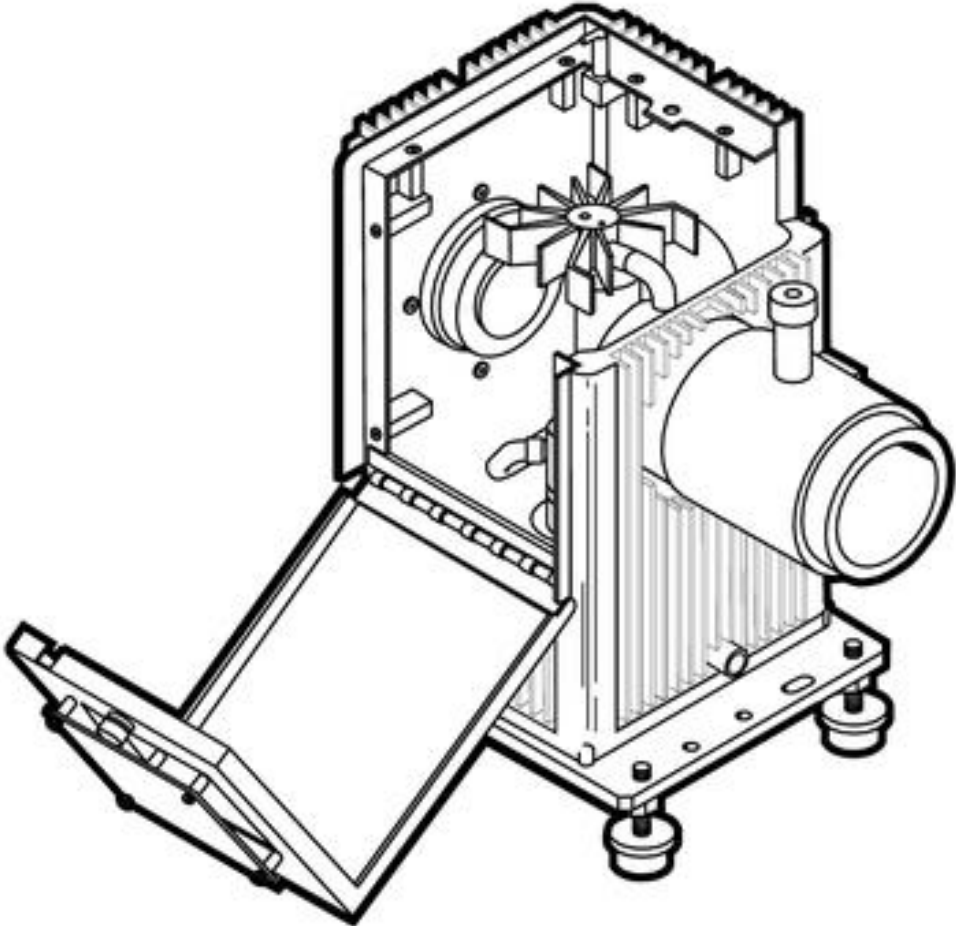


Figure 2 : 60030 Hinged Q Housing

2. SAFETY CONSIDERATIONS

There are six hazards in the operation of the 60000 Series Q Lamp Housing. They are:

- Radiation
- Lamp explosion
- Ozone
- Electrical shock
- EMI
- Heat

2.1 RADIATION



The high intensity UV and VIS radiation of the arc (including deuterium) lamps can permanently damage the cornea, lens, and retina of the eye, even causing blindness. This damage may not be immediately apparent. The deep UV is absorbed in the cornea or eye fluids; focused VIS and NUV can damage the retina. Normal blink reaction to visible light may not be adequate protection, and a beam of invisible NUV (produced by spectral filtering) can be most dangerous, as the blink response is not induced. UV radiation can also cause painful sunburn, and with prolonged exposure, serious burns.

Recommendations:

- Never look directly into the output beam from an arc lamp housing.
- Do not look at the specular (mirror) reflection of the beam.
- Always wear UV protective eyewear or facemask, and gloves. (If your arms will be in and out of the beam wear long sleeves.)

2.2 LAMP EXPLOSION - XENON AND MERCURY ARC LAMPS



When xenon arc lamps are cold, they are under several atmospheres of pressure and may explode due to internal strains or physical abuse. When hot, xenon and mercury arc lamps have internal pressures of approximately 100 atmospheres and the possibility of violent explosion exists.

Fingerprints and other contaminants left on the lamp cause a deterioration of the envelope during operation and may lead to lamp explosion.

Recommendations:

- Do not handle a bare arc lamp without safety goggles and protection for exposed areas of skin. Wear cleanroom quality gloves when handling lamps.
- Do not apply torque to the lamp envelope during installation or removal.
- Do not touch the lamp envelope with your fingers.
- Thoroughly clean the envelope before installation in the housing with alcohol or a dilute solution of detergent and water.

In normal operation lamp explosions are rare and only occur after many hundreds of hours of use. However, if the lamp envelope is stressed, explosion is more likely. Stress can occur from improper mounting or from deterioration of the lamp envelope.

2.3 OZONE



Ultraviolet light can photo decompose molecular oxygen with subsequent formation of O₃ - Ozone is a common pollutant at ground level in urban areas. Relatively low concentrations of ozone can cause nasal dryness and a burning sensation in the throat, headaches, nausea, and irritation of the mucous membranes.

A 150 W UV arc lamp can contribute more than 1 part ozone per million to the convective air stream. This may be of little consequence in a well-ventilated area but some people are very sensitive to ozone and the long-term effects are not well documented. Noticeable symptoms for most people appear at 0.3 - 0.5 ppm.

Recommended maximum exposures are typically:

- 0.1 ppm for 8 hours exposure
- 2 ppm or a 2-hour exposure

Recommendation:

- Use an ozone free lamp unless you need the shortwave UV.

Note: Ozone has an absorption in the UV. If ozone is created and built up in the optical path, particularly a long enclosed optical path, then the observed UV radiation level may change accordingly and lead to misinterpretation of lamp or sample performance.

2.4 ELECTRICAL



A high transitory voltage is used to ignite arc lamps. The lamp terminals have a potential difference of up to 200 V prior to lamp start.

<< WARNING >>

- Keep personnel clear of all exposed terminals.
- Before changing lamps or working on the system, disconnect input power and check the power supply voltmeter for zero voltage to be sure that internal capacitors are fully discharged.
- Make sure all connections are securely made (and check the polarity) before starting a lamp.
- Do not handle lamp leads during lamp ignition.

2.5 EMI



Ignition of a xenon arc lamp requires high voltage/high frequency pulses. Mercury arc lamps can also be started in this way or by using a voltage ramp as in our "Soft Start" ignitor. In both cases a high current discharge follows. The ignition pulses particularly, but also the high starting currents, are sources of radiated and conducted electromagnetic interference. Good earthing, cable routing practice, and EMI shielding may be necessary to protect sensitive digital circuitry from these pulses.

Recommendations:

- Start the arc lamp before powering nearby computer systems.
- Keep the computer away from the ignitor/power supply.
- Use a different outlet and line for the computer and ignitor/power supply.
- Contact Newport for special cabling (for which there will be an additional expense) to reduce EMI/associated problems.

2.6 HEAT



Depending on the total wattage dissipated in the housing, the fins and convective cap on top will get very hot. The lamp is also very hot after several minutes of operation, and remains hot for some time after being shut off.

<< WARNING >>

- With the exception of the thermally insulated knobs on the base, adjustable reflector and lens focus, never touch the lamp housing when in use.
- Allow the housing to cool before touching the exterior or before accessing the interior.
- Do not touch the lamp envelope and ends or adapters without allowing for enough cooling down time.

3. GENERAL DESCRIPTION

The 60000 Series Q Lamp Housing is Newport's most modular lamp housing. Figure 3 shows the components available for the 60000 to convert it from an arc to incandescent to deuterium to ceramic element lamp housing. The four ports can support condensers or rear reflectors. Figure 1 shows the various port configurations.

3.1 LAMP AND REFLECTOR ADJUSTMENTS

The location of the arc or filament changes from source to source due to normal manufacturing tolerances. The 60000 has precision independent X, Y, and Z external lamp controls to compensate for these variations. You can adjust the source 0.25 inches (6.4 mm) in any direction. Moving the source moves any subsequent image, and allows you to precisely set an image on a target.

The rear reflector assembly, model 60005, has control knobs that provide X, Y, and Z adjustments for tilt and focus. The 60005 can be ordered from the Newport catalog.

3.2 LAMP COOLING

The Series Q uses natural convection (air) cooling. This is acoustically quiet and vibration free so the lamp output is more stable than in fan cooled housings. Openings in the bottom and top of the housing allow air to enter and circulate through the housing without excessive light leakage. The ribbed exterior improves cooling of the lamp.

The Lamp housing is designed to operate in a typical laboratory environment (typically 68 to 76 degrees F, up to 45% relative humidity). Temperature and humidity outside of typical laboratory range can contribute to cooling and ignition faults. Cooling issues will cause the over temperature sensor to open and high humidity will cause ignition problems. Contact Newport technical representative for more information if operating outside the suggested range.

3.3 OPTIONAL CONDENSING LENS ASSEMBLIES

The 60000 does not come with a condenser. You can choose one of the following from the Newport catalogue:

60006	Condensing/Collimating Lens Assembly	F/1.5, UV grade fused silica
60007	Condensing/Imaging Lens Assembly	F/2.2, Series Q
60008	Condensing/Collimating Lens Assembly	F/0.85, molded Pyrex aspheric
60009	IR Condensing/Collimating Lens Assembly	F/1.1, Germanium
60076	Condensing/Collimating Lens Assembly	F/1, UV grade fused silica
60077	IR Condensing/Collimating Lens Assembly	F/1, Zinc Selenide
67008	Condensing/Aspheric Collimating Lens Assembly	F/2.2, Q-Housing
67017	Condensing/Aspheric Collimating Lens Assembly	F/1 Series Q
67018	Condensing/Focusing Lens Assembly	F/1 Series Q

3.4 MOUNTING

The 60000 comes with four leveling feet. The feet allow 0.63-inch (16 mm) height adjustment. To mount directly to inch or metric optical tables, remove the feet and use the appropriate mounting holes. This puts the optical axis at 5.0 inches (127 mm) above the table. See

Figure 4 for a dimensional diagram.

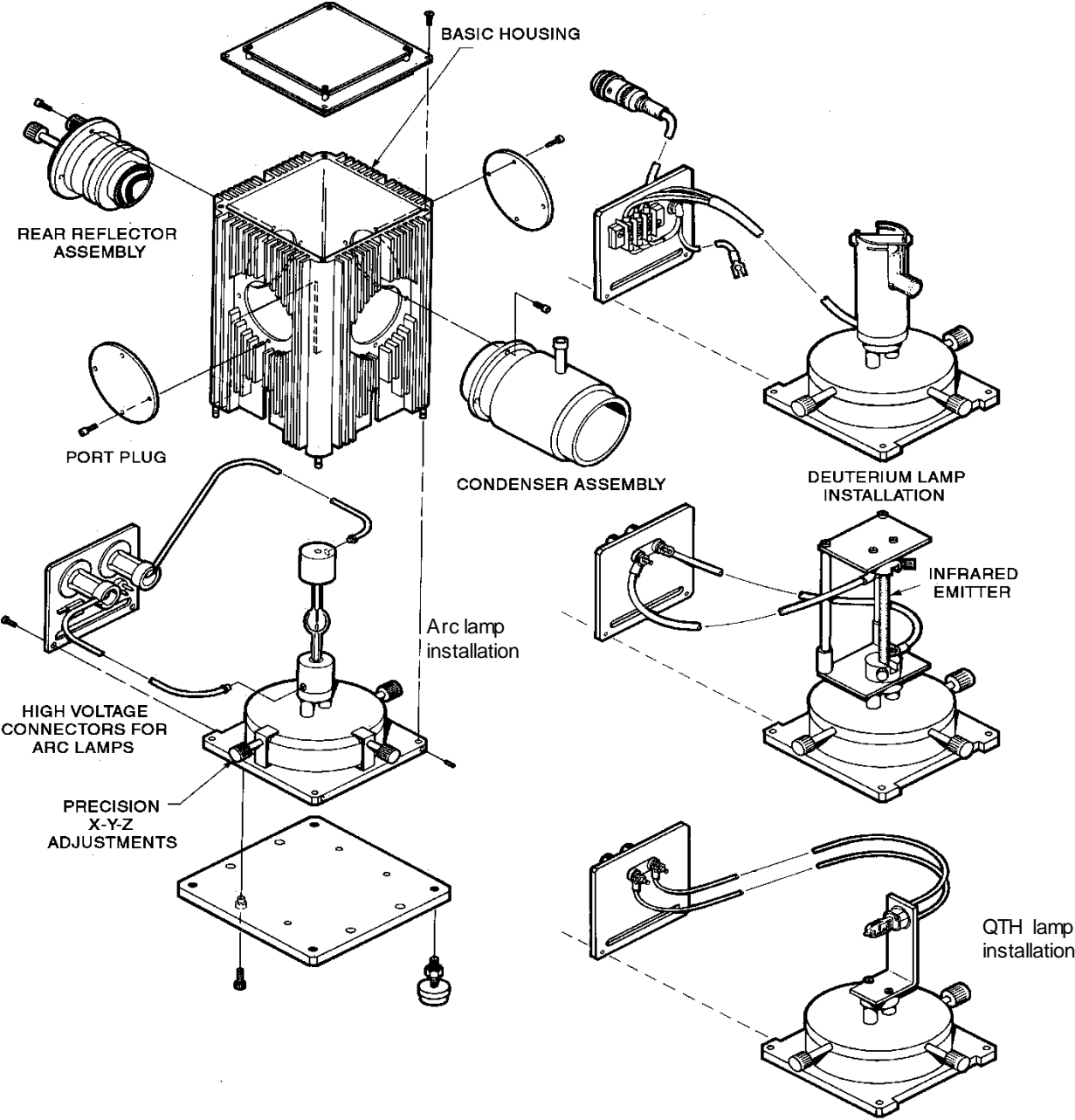


Figure 3 : Series Q Housing and Components

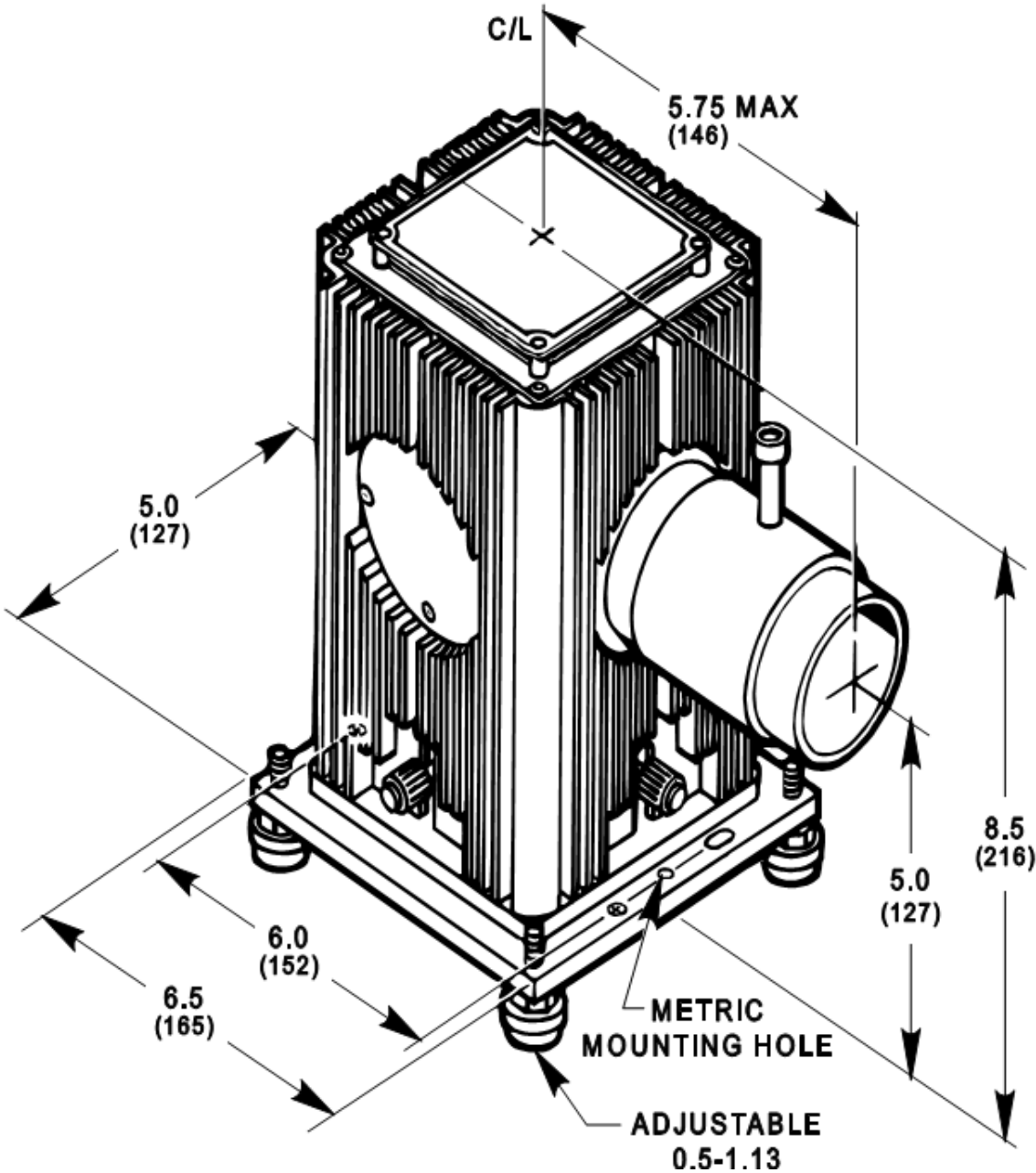


Figure 4 : Dimensional

4. CONFIGURATION OPTIONS AND ACCESSORIES

4.1 INTERFACE KITS

You can operate arc, quartz tungsten halogen, deuterium lamps, and IR sources in the Series Q Housing by changing the interface kit and socket adapter. Table 1 list the appropriate kits and socket adapters for each source.

All kits have interface plates similar to the legacy model 60010 shown in Figure 5 for arc lamps; they are mounted as follows:

1. Partially loosen the (4) retaining screws, #1, and remove the upper housing shell by sliding it upward.
2. Secure the interface plate, #2, with the (2) socket head cap screws in the recess of the base, as shown in Figure 5.
3. Follow the specific instructions on the following pages for each interface kit lamp and socket adapter listed below:

Table 2:

Interface Kit	Model Number	Page Number
DC Arc Lamps	60010 (Legacy)	17
DC Arc Lamps	60025****	21
Pulsed Arc Lamps	66015, 66016	34
Pulsed Xe 5 J	66017	17
QTH and IR	60020 (Legacy)	25
DC Deuterium	60023	30
Pulsed Deuterium	60024 (Legacy)	32
QTH and IR	60090****	36
DC Deuterium	60093****	27

**** CE marked Interface kit.

Note: If you are installing an Arc Lamp, be sure to observe proper orientation as shown in Figure 7.

4. Lower the upper housing shell onto the base making sure the housing opening slides onto the interface plate, and the upper shell tabs "trap" the plate.
5. Insert the (4) grooved studs of the upper housing shell into the base and secure it by fastening the (4) retaining screws, #1.

Cable connections from the interface kit to the power supply are covered in the Interface Kit Manuals.

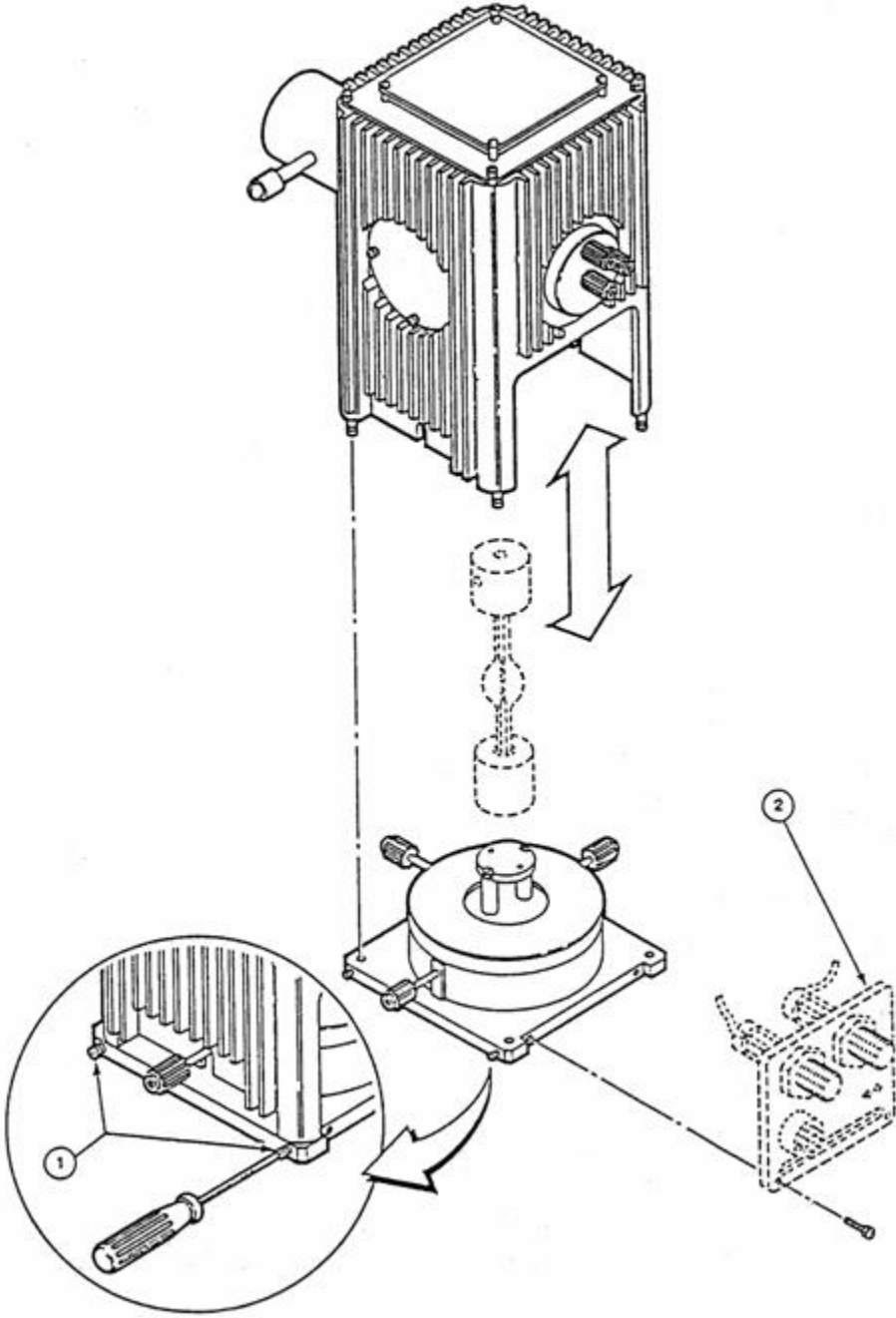


Figure 5 : Mounting Arc Lamp Interface to Series Q Housing

5. ARC LAMP KIT MODEL 60010, 66017

Arc lamp interface kit, Model 60010 & 66017.

Socket adapter for:

100W Hg	use	Model 60012
50W Hg	use	Model 60013
75W Xe	use	Model 60014
100W Xe	use	Model 60014
0.5 J Large Bulb XE	use	Model 60019

To install these components and to make electrical connections, follow the steps listed below:

Interface Panel #60010 is designed for internal electrical connections to 75-Watt and 100-Watt Xenon Lamps and 50 and 100-Watt Mercury Lamps. Interface Panel #66017 is designed for internal electrical connections to .5 J Large Bulb XE Flash lamp.

5.1 INSTALLATION OF ARC LAMP INTERFACE KIT

(See Figure 5)

1. Remove the Q-Housing shell by following the instructions in 4.1 step 1
2. Place panel, item 2, on the recessed side of the XYZ positioner base.
3. Secure panel, item 2, with (2) screws #6-32 x 3/8, item 2 (enclosed).

5.2 INSTALLATION OF SOCKET ADAPTERS AND ARC LAMPS

(See Figure 6)

1. Install bottom socket adapter, item 3, using (2) screws #4-40 x 1/2, item 4 (enclosed).

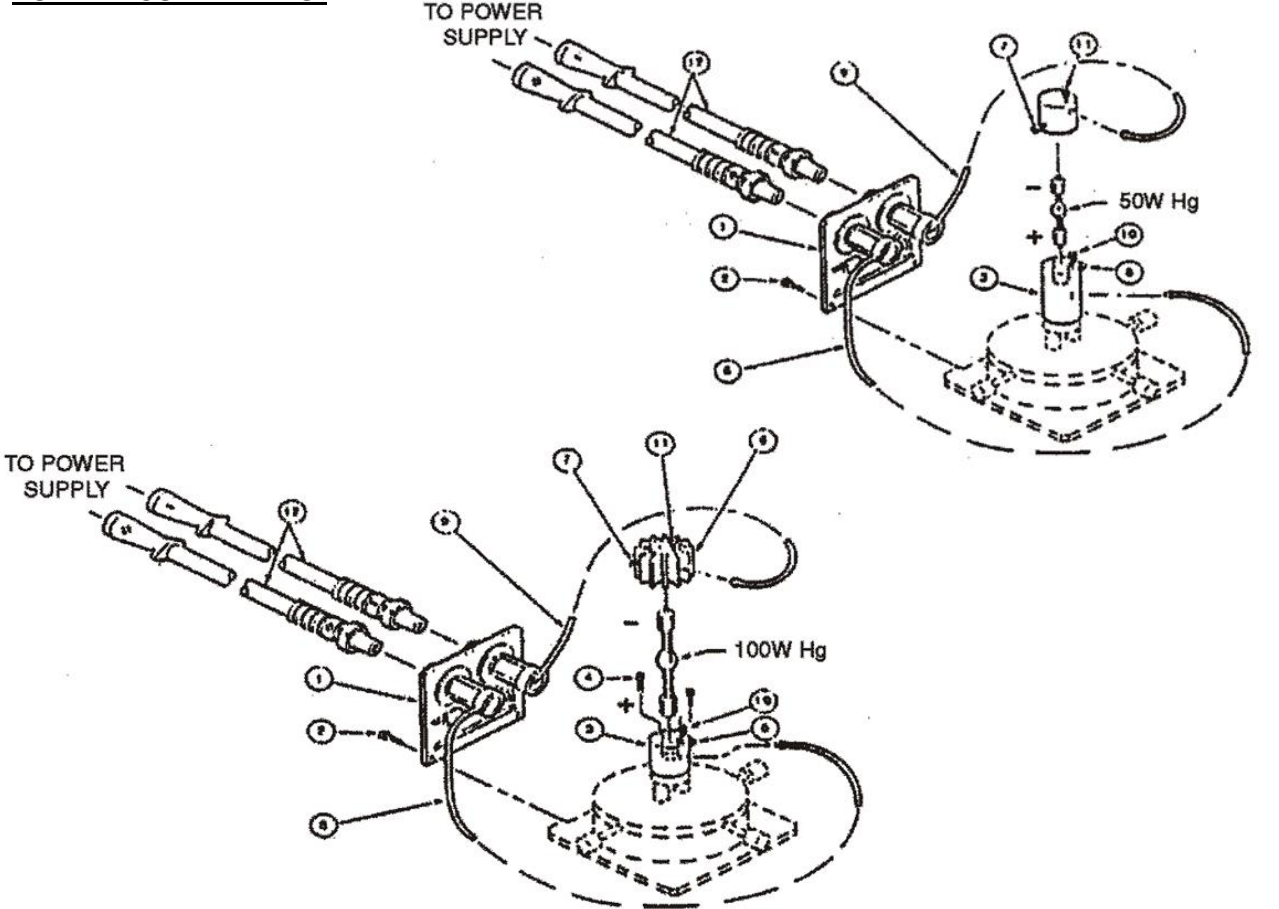
For 100W Hg	use	Model 60012 Socket Adapter
For 50W Hg	use	Model 60013 Socket Adapter
For 75W Xe	use	Model 60014 Socket Adapter
For 100W Xe	use	Model 60014
For 0.5 J Large Bulb Xe	use	Model 60019 Socket Adapter
2. Install the bottom of the appropriate lamp into this terminal, secure the lamp using screw #4-40, item 5. (Use Allen wrench supplied with the Q-Housing, basic unit.)
3. Install the top terminal, item 6, on the top of the arc lamp. Secure top terminal, item 6, using set screw #4-40, item 7

Note: All top and bottom terminals have labels for identification purposes, and the lamp must be in the correct orientation to avoid immediate damage. See Figure 7 to help identify the lamp.

5.3 ELECTRICAL CONNECTIONS

1. Connect the cable, item 8, to the bottom terminal, item 3. Secure the contact using the socket hd cap screw #4-40, item 10.
2. Connect the cable, item 9, to the top terminal, item 6. Secure the contact using the socket hd cap screw #4-40, item 11.
3. Connect two H/V cables (negative and positive), item 12 to the appropriate connectors on the panel, item 1. Follow mark-up instructions on the exterior panel for polarity of the appropriate lamp.

FOR MERCURY LAMPS:



FOR XENON LAMPS:

NOTE
MAKE SURE ALL ELECTRICAL
CABLES ARE PROPERLY CONNECTED;
POSITIVE TO POSITIVE, NEGATIVE TO
NEGATIVE AND THAT THE LAMP
TERMINALS ARE CORRECTLY
ORIENTED AS SHOWN IN THE
ILLUSTRATIONS.

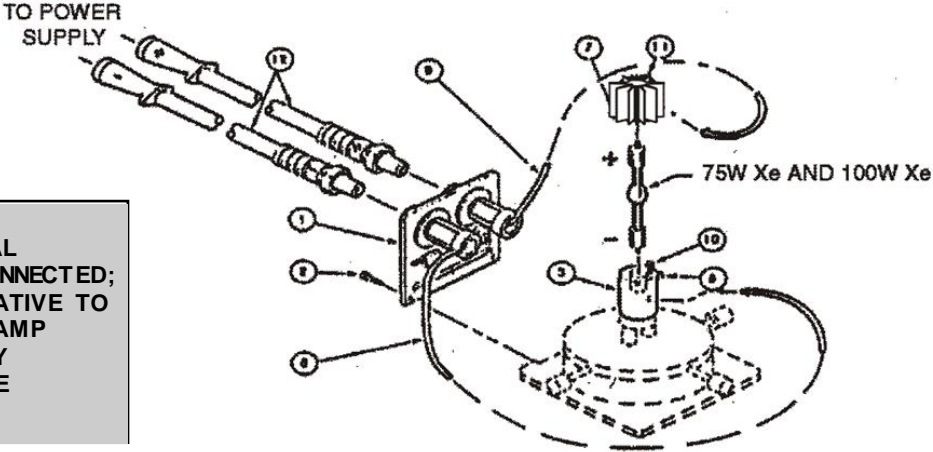


Figure 6 : Interface Kit 60010

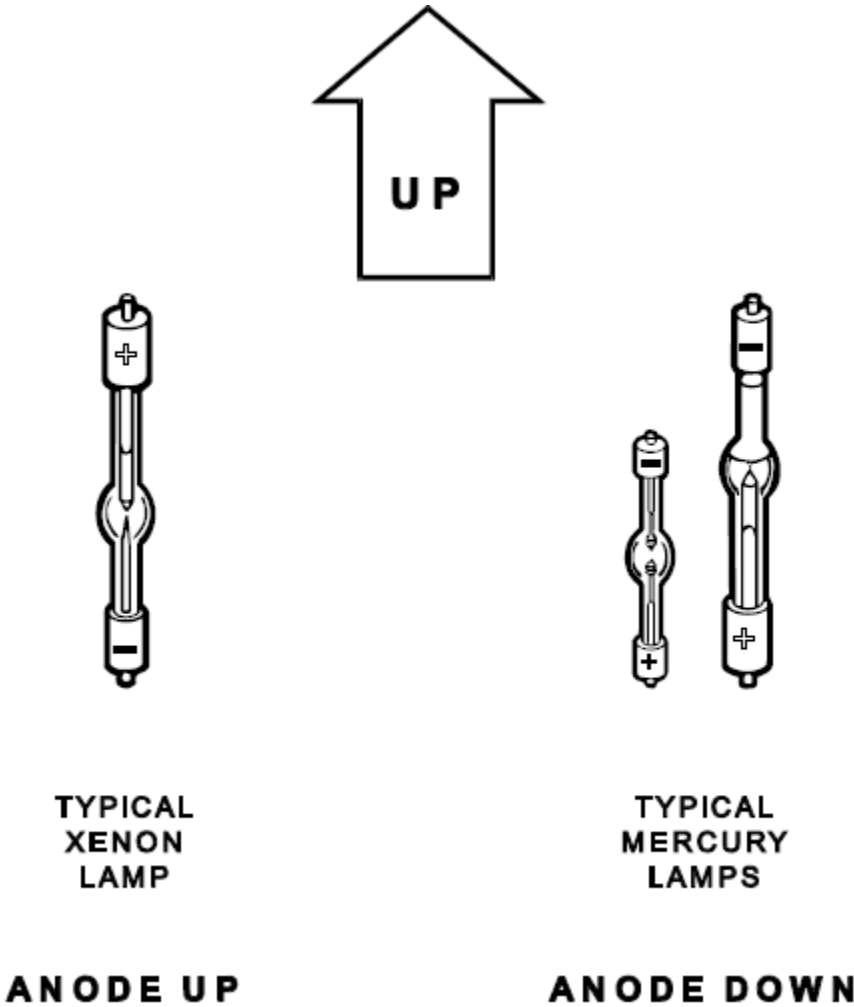


Figure 7 : Arc Lamp Orientation

5.4 INSTALLATION OF VENTS

(See Figure 8)

1. Remove cover plates, item 1, from unused ports on sides of housing. Save the cover plates for future use with other interface kits should your application change.
2. Attach vent plate, item 2, using 4 screws removed from cover plate in step 1.
3. Attach light shield, item 4, using (1) screw #6-32 x 3/8, item 3

5.5 REASSEMBLE Q-HOUSING SHELL

Continue with the instructions of section 4.1 steps 4 and 5 to complete the installation.

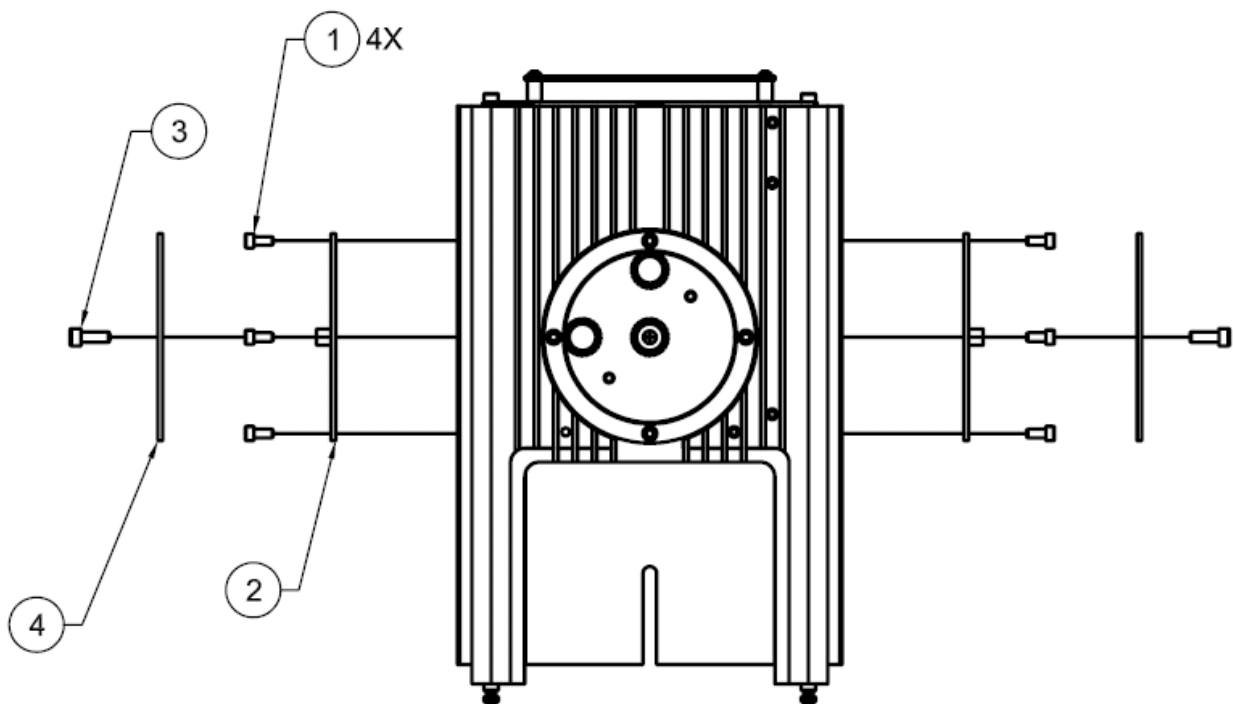


Figure 8 : Series Q-Housing with Vents

6. ARC LAMP KIT MODEL 60025

Arc lamp interface kit, Model 60025.

Socket adapter for:

100W Hg	use	Model 60012
50W Hg	use	Model 60013
75W Xe	use	Model 60014
100W Xe	use	Model 60014

To install these components and to make electrical connections, follow the steps listed below:

Interface Panel #60025 is designed for internal electrical connections to 75-Watt and 100-Watt Xenon Lamps and 50 and 100-Watt Mercury Lamps.

6.1 INSTALLATION OF ARC LAMP INTERFACE KIT, MODEL 60025

(See Figure 9)

1. Remove the Q-Housing shell by following the instructions in 4.1 step 1.
2. Place panel, item 1, on the recessed side of the XYZ positioner base.
3. Secure panel, item 1, with (2) screws #6-32 x 1-3/4, item 2 (enclosed).

6.2 INSTALLATION OF SOCKET ADAPTERS AND ARC LAMPS

(See Figure 9)

1. Install bottom socket adapter, item 3, using (2) screws #4-40 x 1/2, item 4 (enclosed).

For 100W Hg	use	Model 60012 Socket Adapter
For 50W Hg	use	Model 60013 Socket Adapter
For 75W Xe	use	Model 60014 Socket Adapter
For 100W Xe	use	Model 60014 Socket Adapter
2. Install the bottom of the appropriate lamp into this terminal; secure the lamp using screw #4-40, item 5. (Use Allen wrench supplied with the Q-Housing, basic unit.)
3. Install the top terminal, item 6, on the top of the arc lamp. Secure top terminal, item 6, using screw #4-40, item 7.

Note: All top and bottom terminals have labels for identification purposes, and the lamp must be in the correct orientation to avoid immediate damage. See Figure 7 to help identify the lamp

6.3 ELECTRICAL CONNECTIONS

(See Figure 9)

1. Connect the cable, item 8, to the bottom terminal, item 3. Secure the contact using the setscrew #4-40, item 10.
2. Connect the cable, item 9, to the top terminal, item 6. Secure the contact using the setscrew #4-40, item 11.
3. Connect the 70050 cable for Xe lamps, or the 70051 cable for Hg lamps, to the connector on the panel, item 1, and to the power supply.

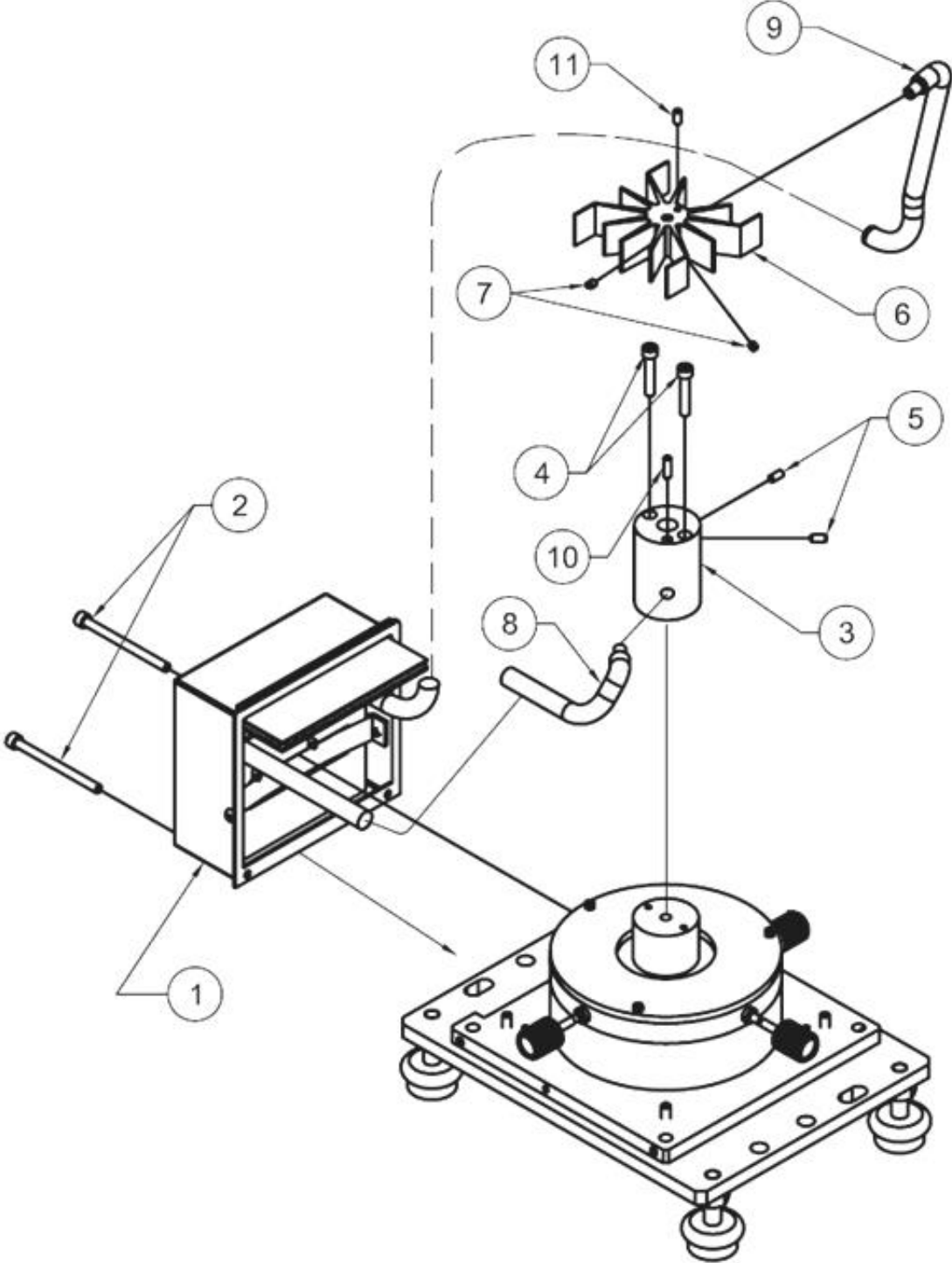


Figure 9 : Series Q-Housing 60025 Interface Kit

6.4 INSTALLATION OF INTERLOCK ACTUATOR

(See Figure 10)

1. Remove the existing interlock actuator by removing the (3) screws, item 1 as shown. Be careful not to lose the pieces, item 2 inside the housing. Store this interlock actuator and screws for future use with other interface kits should your application change.
2. Remove (1) setscrew, item 3.
3. Install new interlock actuator, item 4 with (2) screws #4-40 x 3/16, item 5

6.5 INSTALLATION OF VENTS

(See Figure 10)

1. Remove cover plates, item 6, from unused ports on sides of housing. Save the cover plates for future use with other interface kits should your application change.
2. Attach vent plate, item 7, using 4 screws removed from cover plate in step 1.
3. Attach light shield, item 8, using (1) screw #6-32 x 3/8, item 9.

6.6 REASSEMBLE Q-HOUSING SHELL

Continue with the instructions of section 4.1 steps 4 and 5 to complete the installation.

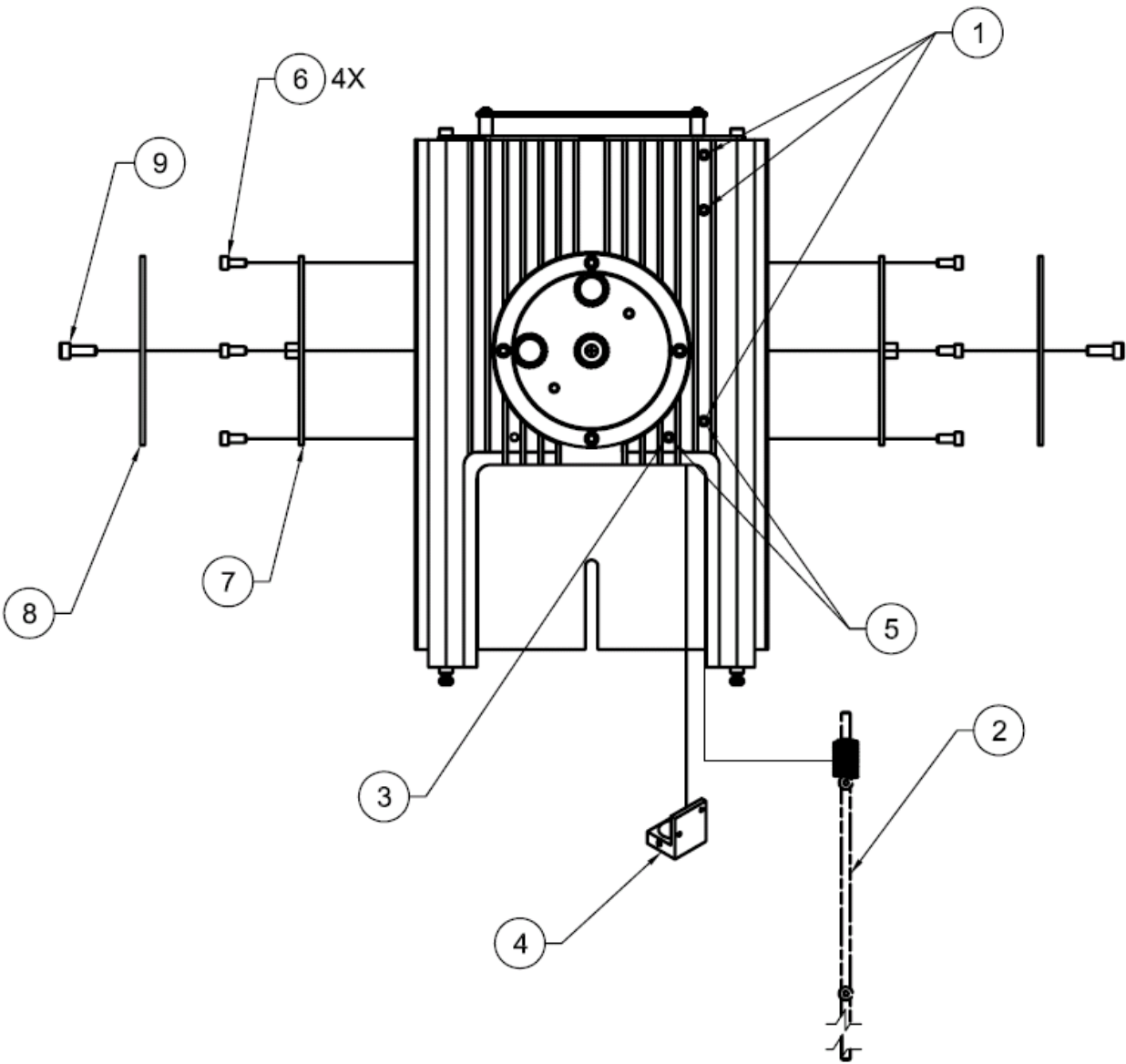


Figure 10 : Series Q-Housing with Vents and Interlock

7. QTHAND IR ELEMENT INTERFACE KIT MODEL 60020

Interface Kit, Model 60020, is designed for internal electrical connections to:

1. Tungsten halogen light sources
2. Glow bar IR elements
3. IR Ceramic Glowers

The mount consist of the following components (see

Figure 11)

1. Interface panel
2. Mounting hardware

To install the interface panel, follow the steps listed below:

Interface Panel, Model #60020 is designed for internal electrical connections to Tungsten Halogen Sources, Glow Bar IR Elements and IR Ceramic Glowers. The XYZ positioner shown in the Figure is not included.

7.1 INSTALLATION OF THE LAMP INTERFACE KIT

Remove the shell from the Q-housing and install the panel as described in Section 4.1 steps 1 and 2.

7.2 INSTALLATION OF SOCKET ADAPTER LAMPS & IR ELEMENTS

1. Mount the socket adapter to the base of the XYZ stage with the two (2) #4-40 x 1/2 screws.
2. Connect the two leads to the previously mounted interface panel.
3. Make the electrical connections by connecting the fork lugs, item 3, to the appropriate power supply.

7.3 REASSEMBLE THE Q-HOUSING SHELL

Continue with the instructions of Section 4.1 to complete the installation.

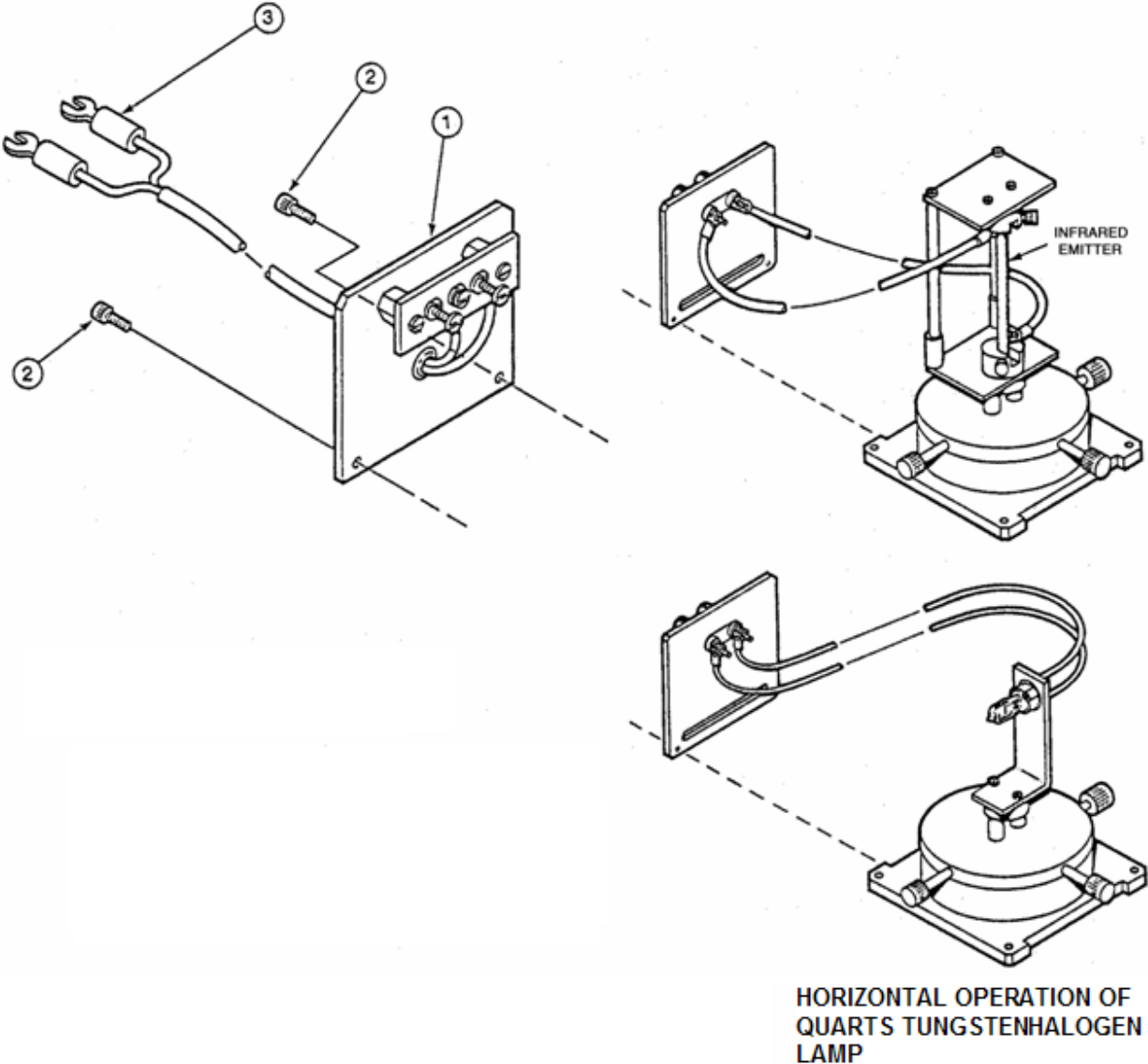


Figure 11 : QTH Glower Mounting Configuration

8. DEUTERIUM INTERFACE KIT MODEL 60093

Interface kit, Model 60093, is designed for internal connections to any of the Oriel 30 watt deuterium lamps inside the Oriel Series Q Housing.

The model 60093 consists of:

1. Interface Plate Kit, 60090
2. Deuterium Lamp Mount, 60023-3100
3. Cable 70050

<< CAUTION >>

- Deuterium lamps emit dangerous UV radiation. Wear UV protective goggles or glasses and UV protective clothing. Deuterium lamps get very hot.
- Do not touch during operation and allow time to cool before changing lamps.

The safety interlock system created when this interface kit is integrated into a series Q Housing and used with an Oriel model 68942 Deuterium Lamp Power Supply protects the user from the hazardous voltages and heat (while the lamp is operating).

8.1 INSTALLATION OF THE LAMP INTERFACE KIT

Note: The XYZ positioner shown in the Figure is not included with this kit

1. Remove the shell from the Series Q Housing and install the panel as described in section 4.1, items 1 and 2.
2. Install the interlock actuator (item 3, Figure 17) by removing the two #6-32 screw plugs (item 4). Align the actuator per Figure 17 and secure with two #4-40 x 1/4" screws provided in kit. (Item 4, Figure 17) (Note: the two 6-32 screw plugs are not used with this kit. Only used to block light when other kits are installed.)

8.2 INSTALLATION OF SOCKET ADAPTER AND LAMP

(Refer to Figure 12)

1. Place the lamp mount, item 1, on the platform of the XYZ Positioner so that the guide strips, item 3, are located opposite the Interface Plate, item 2.
2. Secure the lamp mount to the platform using the two 4-40 x 1/2" screws, item 4.
3. Install the deuterium lamp.

Do not touch the quartz envelope of the lamp with your fingers when unpacking or mounting the lamp. Use clean room quality gloves when handling the lamp. If necessary, wipe the lamp with alcohol to remove skin oils.

Place the deuterium lamp; with the leads facing downward, on the terminal block side of the mounting plate so that the exit hole or snout points through the mounting plate and the output beam is perpendicular to the mounting plate. The output beam should be aligned vertically with the scribe line, L.

Secure the lamp in place using the two retaining springs, item 6, by passing the loose end of each spring around the lamp and slipping the end loop of the spring over the set screw extending from the guide.

4. Make the electrical connections.

Remove the jumper connecting terminals #2 and #3 of the Interface Plate terminal block. Connect the lamp ANODE lead (red or orange) to terminal #2 (the middle one) of the terminal block on the Interface Plate. Connect the lamp CATHODE/HEATER lead (black) to terminal #3 (on the right). Connect the lamp HEATER (filament) lead (blue) to terminal #1 (the left one).

NOTE: If the lamp CATHODE/HEATER and HEATER leads are the same color, their connections are interchangeable.

8.3 REASSEMBLE THE Q-HOUSING SHELL

Continue with the instructions of section 4.1 steps 4 and 5, to complete installation.

9. DEUTERIUM INTERFACE KIT MODEL 60023

Interface Panel #60023 is designed for internal electrical connections to DC Deuterium Lamps.

NOTE: The XYZ-Positioner shown in Figure 13 is not included with this kit.

The kit consists of the following components: (See Figure 13)

1. Deuterium Lamp Mount, item 1
2. Deuterium Panel Assembly, item 2
3. Miscellaneous mounting hardware

Follow the steps listed below to install the deuterium lamp mount (See Figure 13):

9.1 INSTALLATION OF THE LAMP MOUNT AND DEUTERIUM INTERFACE PANEL

Attach the lamp mount and deuterium lamp assembly to the XYZ Positioner:

1. Remove the shell from the Q-housing and install the panel as described in section 4.1 steps 1 and 2.
2. Place the lamp mount, item 1, on the mounting platform of the XYZ Positioner so that the Guide strips, item 3, are located opposite to the position where the deuterium panel, item 2, will mount. This position is shown in Figure 13.
3. Secure the lamp mount to the platform using the (2) #4-40 x 1/2 screws, item 4, enclosed.
4. Secure the deuterium interface panel, item 2, (as shown in Figure 13) using the (2) #6-32 x 3/8 screws, item 5, enclosed.

9.2 DEUTERIUM LAMP INSTALLATION

1. Place deuterium lamp into the U-shaped slot formed by the guides, item 3, in item 1. Position the three wires, as shown, in the base of item 1, and position the snout and window of the lamp between the guides.
2. Secure the lamp in place using the two retaining springs, item 6:
Pinch the first spring near the free end between thumb and forefinger. Pass the spring over the lamp and slip the end loop of the spring over the setscrew extending from the guide.
Repeat with the second spring.
3. Slide the lamp down until the window is approximately in line with line "L".

9.3 ELECTRICAL CONNECTIONS

1. Connect the green lead from the power cable to the grounding screw, item 7, located on the base plate of the XYZ Positioner.
2. Connect the anode lamp lead (red) to the red wire contact on the terminal block, item 8. Connect the cathode lamp lead (black or blue) to the black/blue wire contact on the terminal block. Connect the filament lamp lead (blue) to the white/brown wire contact on the terminal block.

NOTE: If the cathode and filament lamp leads are both the same color, their connections are *interchangeable*.

9.4 REASSEMBLE THE Q HOUSING SHELL

Continue with the instructions of Section 4.1 step 4 to complete the installation.

10. PULSED DEUTERIUM INTERFACE KIT MODEL 60024

10.1 INSTALLATION OF INTERFACE KIT

(See Figure 14)

1. Remove the shell from the Q-housing and install the panel as described in section 4.1 step 1.
2. Place the panel, item 1, on the recessed side of X, Y, Z positioner base item 7.
3. Secure item 1 with (2) screws #6-32 X3/8 long, item 5.
4. Attach the lamp mount, item 3, to the X, Y, Z positioner, item 7, as shown and secure with (2) screws #4-40 item 4.
5. Place deuterium lamps, item 8, onto the U-shaped slot of item 3 and secure with the two retaining springs item 9.

Pinch the first spring near free end between thumb and forefinger. Pass spring over the lamp and slip the end loop of the spring over the setscrew extending from the guide.

Repeat with second spring.

6. Slide the lamp down.
7. Connect the wires of the lamp to item 2 as follows:

LAMP WIRE COLOR	ITEM 2 WIRE TERMINAL COLOR
Red	Red
Blue	Blue
Black	Black
Black (Dk Green)	Brown

If the lamp has 2 black wires, then connect one to blue of item 2. Connect item 6 to the base.

10.2 REASSEMBLE THE Q-HOUSING

Continue with the instructions of section 4.1 step 4 to complete the installation.

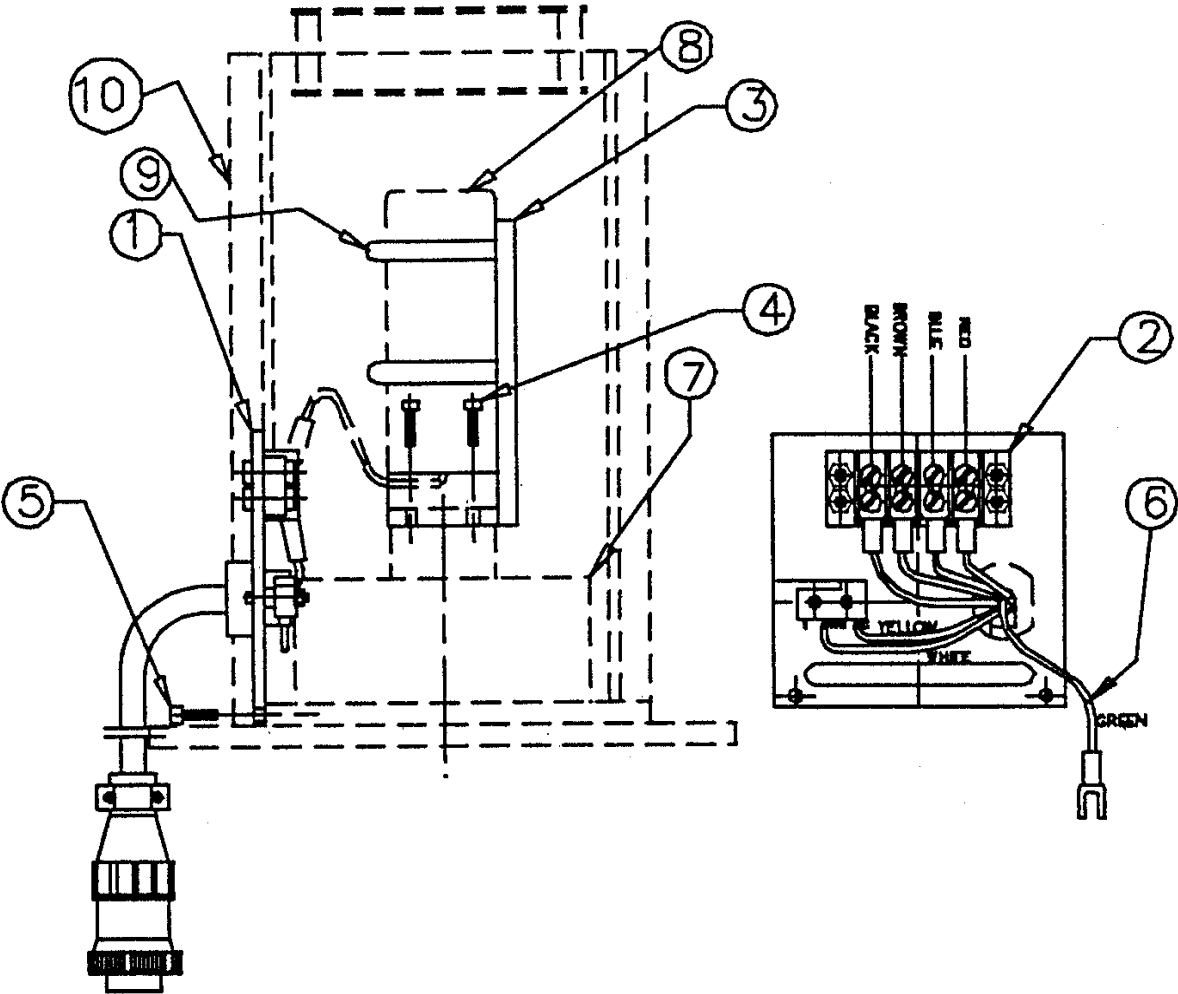


Figure 14 : Pulsed Deuterium Lamp Mounting

11. CAPILLARY AND GUIDED LAMP INTERFACE KIT MODEL 66015, 66016

1. Remove the shell from the Q-housing and install the panel as described in section 4.1 steps 1 and 2.
2. Place the panel of the interface kit, item 2, on the recessed side of the X, Y, Z positioner base, and secure with (2) screws #6-32 X3/8 long, item 3.
3. Make the electrical connections, by connecting the 7 pin connector of interface, item 2, to the power supply.
4. Connect the lamp to the terminal block as follows:

Lamp Lead Color	Terminal Block Color	Function
Black	Black	Cathode
Red	Red	Anode
Red/White or White	White	Trigger
Brown (6425 Lamp Only)	Brown	Filament

5. Reassemble the Q Housing shell panel.

* If the wire colors on your 6426 lamp do not match this list, reference the drawing below for additional details.

Continue with the instructions of Section 4.1 step 4 to complete the installation.

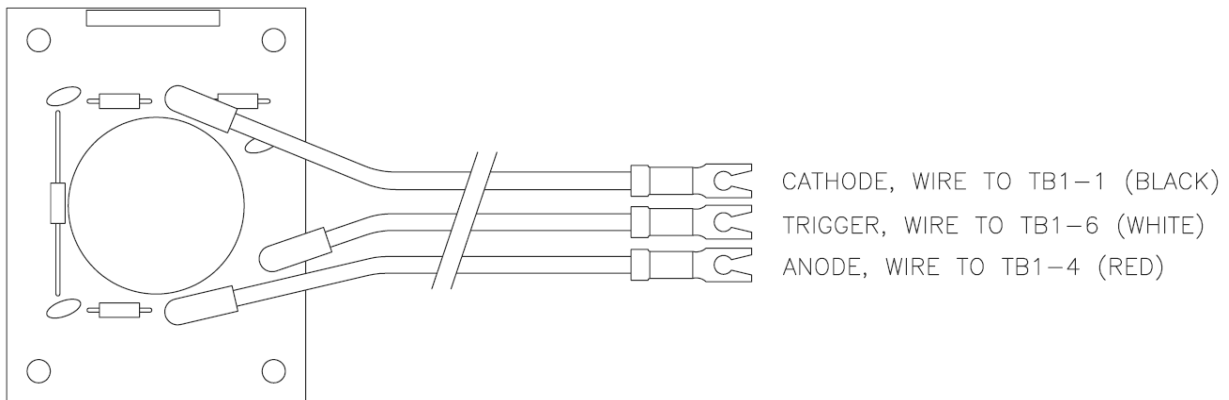


Figure 15 : Model 6426 0.32 Joule Guided Arc Lamp

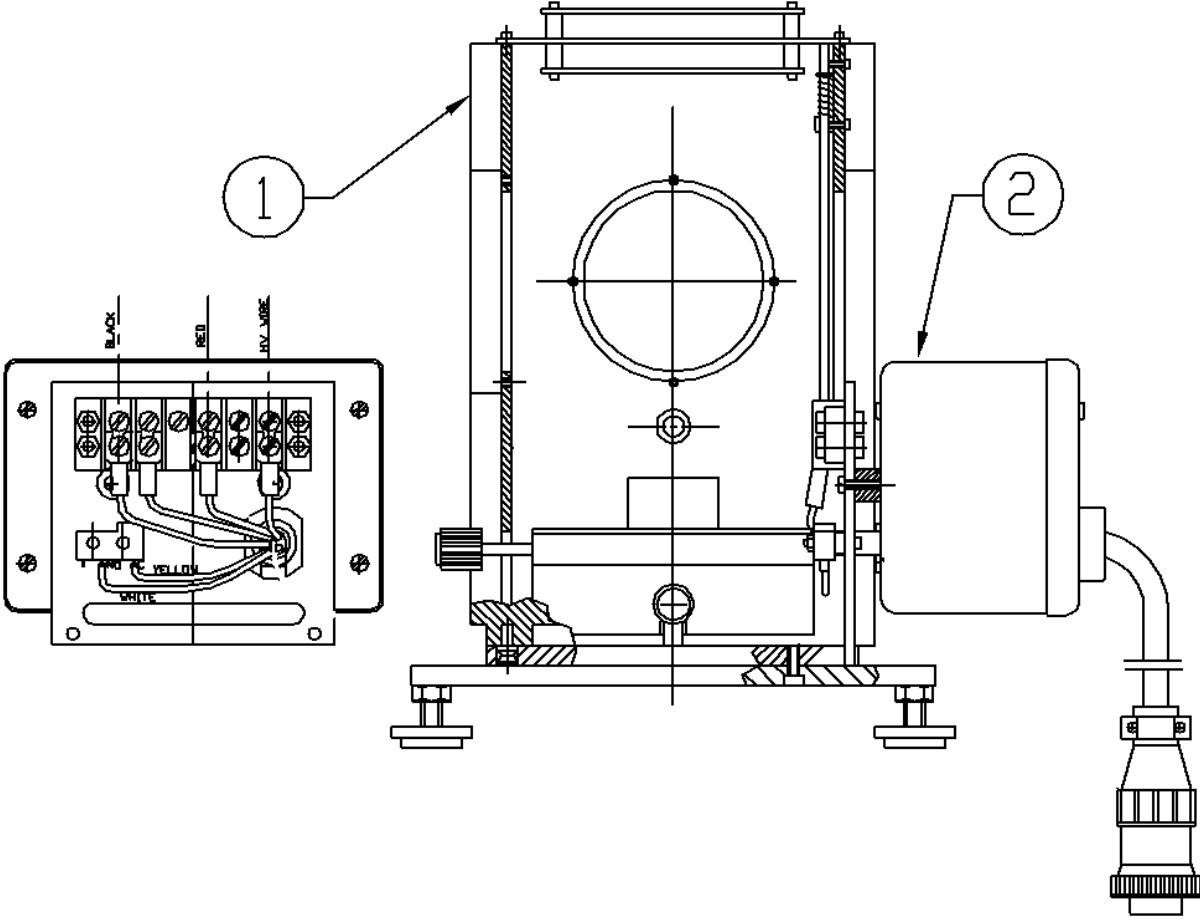


Figure 16 : Pulsed Arc Lamp Mounting

12. QTHAND IR INTERFACE KIT MODEL 60090

Interface Kit, Model 60090, is designed for internal electrical connections to:

1. Tungsten halogen light sources
2. Glow bar IR elements
3. IR Ceramic Glowers

The mount consist of the following components (see Figure 17):

1. Interface panel
2. Interlock actuator
3. Mounting hardware

To install the interface kit, follow the steps listed below:

Interface Kit, Model #60090 is designed for internal electrical connections to Tungsten Halogen Sources, Glow Bar IR Elements and IR Ceramic Glowers.

12.1 INSTALLATION OF THE LAMP INTERFACE KIT

1. Remove the shell from the Q-housing and install the panel as described in section 4.1 steps 1 and 2.
2. Install the interlock actuator (item 3, Figure 17) by removing the two #6-32 screw plugs (item 4). Align the actuator per Figure 17 and secure with two #4-40 x 1/4" screws provided in kit. (Item 4, Figure 17) (Note: the two 6-32 screw plugs are not used with this kit. Only used to block light when other kits are installed.)

12.2 INSTALLATION OF SOCKET ADAPTER, LAMP & IR ELEMENTS

1. Mount the socket adapter to the base of the XYZ stage with the two (2) #4-40 x 1/2 screws.
2. Connect the two leads to the previously mounted interface panel terminal block positions 1 & 3. Recommend having leads exit the terminal block towards the bottom to ensure leads are out of optical path. (Note: Ensure jumper remains in place between positions 2 & 3. This is used for remote voltage sense.)
3. Make the electrical connection to the appropriate power supply using the cable provided.

12.3 REASSEMBLE THE Q-HOUSING SHELL

Continue with the instructions of Section 4.1 steps 4 and 5, to complete the installation.

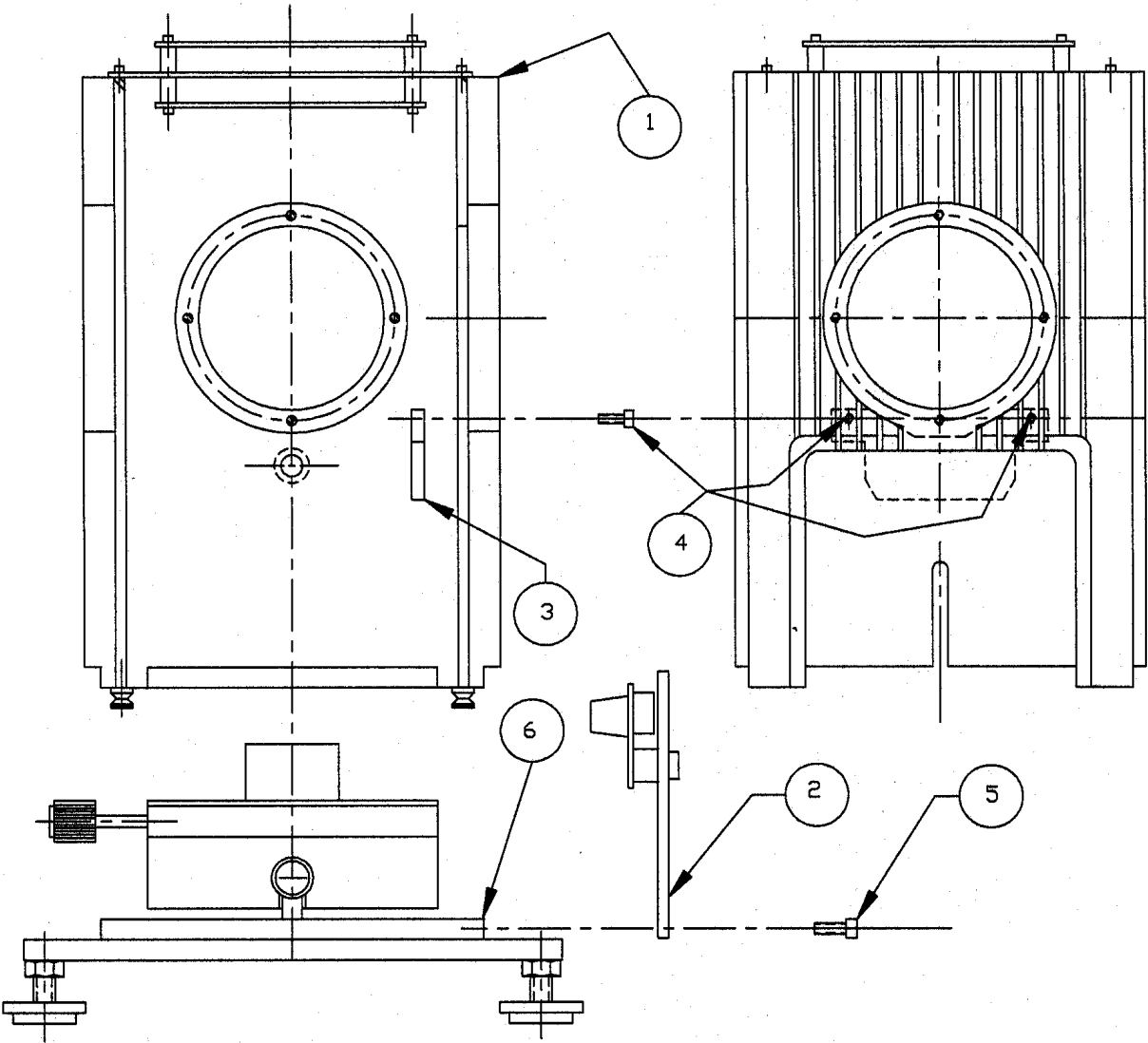


Figure 17 : 60090 Interface Kit Assembly

13. ADJUSTMENT OF LAMP, MIRROR AND LENS WITH THE 60005 REFLECTOR ASSEMBLY

13.1 GENERAL

In these housings, the optional 60005 Reflector Assembly collects radiation behind the source, increasing output by up to 60% with arc lamps. You can also get more output for QTH lamp. This option is not for use with Deuterium lamps or infrared sources.

The mirror is adjusted with respect to the lamp by three knobs located directly behind the mirror on the mounting plate. The knobs provide adjustments for X, Y, and Z for tilt and focus.

<<< CAUTION >>>

DO NOT LET THE MIRROR IMAGE OF THE ARC FALL ONTO EITHER ELECTRODE. OVERHEATING OF THE LAMP SEALS AND SUBSEQUENT LAMP EXPLOSION MAY RESULT.

13.2 ADJUSTMENTS PRIOR TO OPERATION

1. Before ignition, roughly adjust the lamp position. Adjust the lamp so the arc gap lies approximately in the center of the condensing lens. This can be seen through the lens if the focusing lever on the lens is full back.
2. If you have appropriate safety equipment, ignite and warm up the arc lamp per the instructions in the ignitor/power supply manuals.

13.3 ADJUSTMENT DURING OPERATION

1. By adjusting the condensing lens, focus the output beam so an image of the arc appears on a wall or screen. Do not view UV images without safety glasses.
2. Adjust the lamp position to center the output in the condenser lens aperture. You can place a piece of paper over the condenser output and center the beam on the aperture.
3. Rotate the mirror knobs until a bright spot appears alongside the arc. (See Figure 18) This bright spot is a distorted image of the arc.
4. Place the mirror image over the main (direct) image (as in Figure 19) or alongside, as desired. You may need to use iterative adjustments to keep a focused mirror image.
5. Focus the condensing lens as desired.

<<< CAUTION >>>

YOU CAN SUPERIMPOSE THE TWO IMAGES, BUT AVOID REMAGING THE ARC HOT SPOTS ONTO THE ELECTRODES. THIS CAN CAUSE OVERHEATING OF THE LAMP

If additional range of adjustment of the condensing lens is desired:

1. Remove the condensing lens assembly handle (take care to record the orderly assembly of its parts.)
2. Slide the inner lens barrel forward or back by hand until another tapped hole appears in the spiral slot.
3. Reassemble the handle into this new hole.

13.4 LAMP OPERATION AND COOLING

These arc lamps should be operated close to their rated power. Dropping the power below 80% of rated, can lead to unusual lamp performance, eventual instability, and shortened life. With mercury lamps it can also lead to cooling problems.

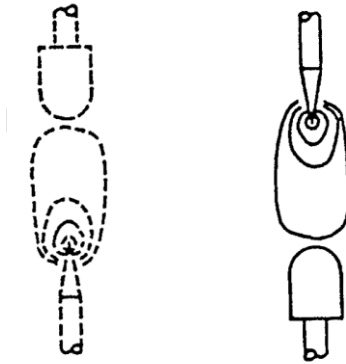


Figure 18 : The electrodes as viewed on a screen in front of the condenser lens are inverted (right). The reflector image as a screen (left) is doubly inverted so the anode of a xenon or mercury (xenon) lamp appears on top.



Figure 19 : Correctly positioned reflector overlays the inverted arc image on the arc gap. The image is the same size as the arc itself.

14. LIGHT COLLECTION

Nine different types of condensing lens assemblies are offered for the Series Q. Order them separately from the Newport catalogue. They are:

60006	F/1.5 Condensing/Collimating Lens Assembly, UV grade fused silica
60007	Condensing/Imaging Lens Assembly
60008	F/0.85 Condensing/Collimating Lens Assembly, Pyrex Aspheric
60009	F/1.1 Condensing/Collimating Lens Assembly, germanium
60076	F/1 Condensing/Collimating Lens Assembly, UV grade used silica
60077	F/1 Condensing/Collimating Lens Assembly, zinc selenide
67008	Condensing/Aspheric Lens Assembly, F/2.2, Q-Housing
67017	Condensing/Aspheric Lens Assembly, F/1 Series Q
67018	Condensing/Focusing Lens Assembly, F/1 Series Q

These lens assemblies are designed for efficient collection of light from the source. In order to get the best performance from the Series Q with a condenser, we first review some aspects of light collection and then describe how to set the lens position.

By moving the focusing lever on the condenser you can move the position of the condenser lenses to produce a diverging beam, "collimated beam" or to re-image the source. Most of the lens assemblies are designed for collimation rather than imaging. The lens shape and orientation are selected to minimize lens-induced distortions (aberration) when the lenses are close to the position that produces a collimated beam (the collimating position). When you use them for imaging, there are two penalties; lens aberrations increase* and light collection is reduced. For imaging, the lens is moved further from the source, and so gathers less of the light emitted by the source within its aperture. The lens operates at a higher F/#.

*See the Newport catalog for a comprehensive discussion on aberrations.

To simplify the discussion, we first describe the operation of an ideal lens and then some of the major results of aberrations.

14.1 COLLIMATED BEAMS

The usual concept of a collimated beam is a parallel cylinder of light. If the intensity is the same anywhere across a section of the cylinder, the beam is uniform. Unfortunately there is no source of a uniform, perfectly collimated beam.

Even expensive laser sources have some residual divergence, in the limit governed by the laws of diffraction, and they usually have non-uniform though sometimes known intensity distributions.

Arc lamp sources with an ideal condenser lens in the collimating position produce beams that depend on the source size and intensity distribution.

A pinhole source at the focus of an ideal lens produces a beam that is close to the ideal collimated beam. In Figure 20, we show a second pinhole source a distance "d" from the first.

The beam from the second pinhole will also be collimated but at an angle $\arctan(d/F)$ with the first. Any extended source can be thought of as a whole set of touching pinholes. The beam after the lens is the sum of all the beams from all the pinholes. It will contain rays with angles up to D/F where D is the largest dimension of the source. The beam will have a divergence that depends on the sum of the light from all the points on the source. Obviously, this divergence will depend on the size of the source and the intensity of the various "pinholes" or points on the source.

Most arc sources are non-uniform and are not circular. Therefore, the divergence in one plane is not the same as that in the orthogonal plane. For most design purposes, the arc sizes quoted in the Newport catalog and the lens focal length give a good guide to divergence.

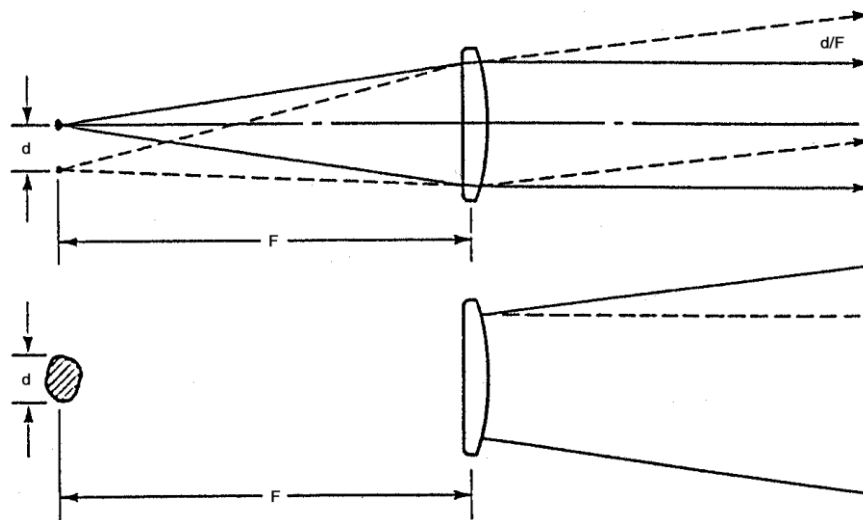


Figure 20 : Collimated Beam

For most arc sources the divergence in one plane is not the same as that in the orthogonal plane.

14.2 IMAGING THE SOURCE

You can re-image the source with one of the collimating condensers by positioning the condenser further from the source using the focusing lever. The Newport catalogue describes imaging and provides the formula. As the condenser lens is moved out, the image moves in and becomes smaller. As already indicated, the lens collects less light as it is moved away from the source. Additionally, the convergence angle of the beam goes up as the image becomes smaller. This is not usually important for irradiance of a surface, but can be significant if the image is on the slit of a monochromator, optical fiber, or other optical system with limited acceptance angle. We normally use a secondary focusing lens to maximize the light through a slit or into a fiber optic.

Figure 21 shows the higher convergence produced when creating a small arc image.

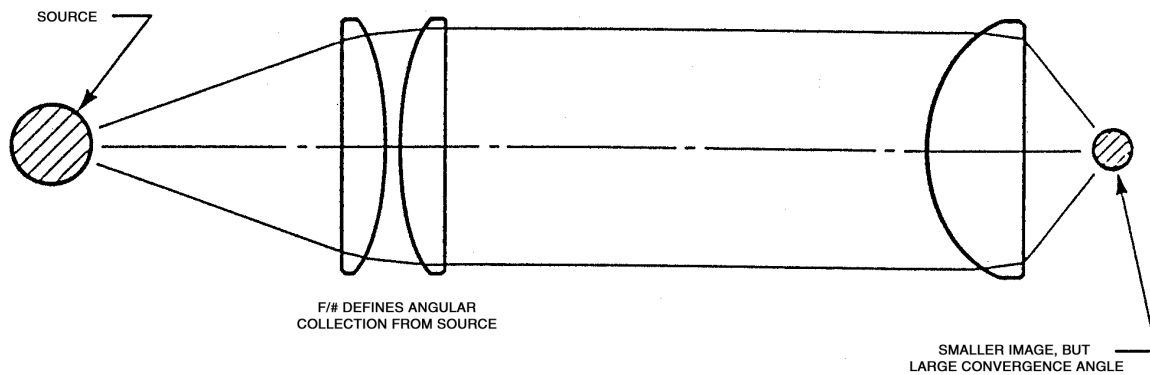


Figure 21 : A source focused to a smaller image

14.3 UNIFORMITY

Arc sources are not uniform and usually have an intensity peak near one electrode. Intensity contours shown in the Newport catalog indicate arc uniformity. The collimated beam comes from pinhole sources that are not equally intense, in addition to being spatially distributed. The result is a smooth, non-uniform beam with some divergence. Figure 22 shows a scan of optimally collimated beam in the vertical and horizontal planes. The source was a 200 W Hg arc.

Most arc sources are non-uniform and are not circular. Therefore, the divergence in one plane is not the same as that in the orthogonal plane. For most design purposes, the arc sizes quoted in the Newport catalog and the lens focal length give a good guide to divergence. For low divergence beams you should consider the small arc sources and, if necessary, use our Spatial Filter Assembly (Newport catalog).

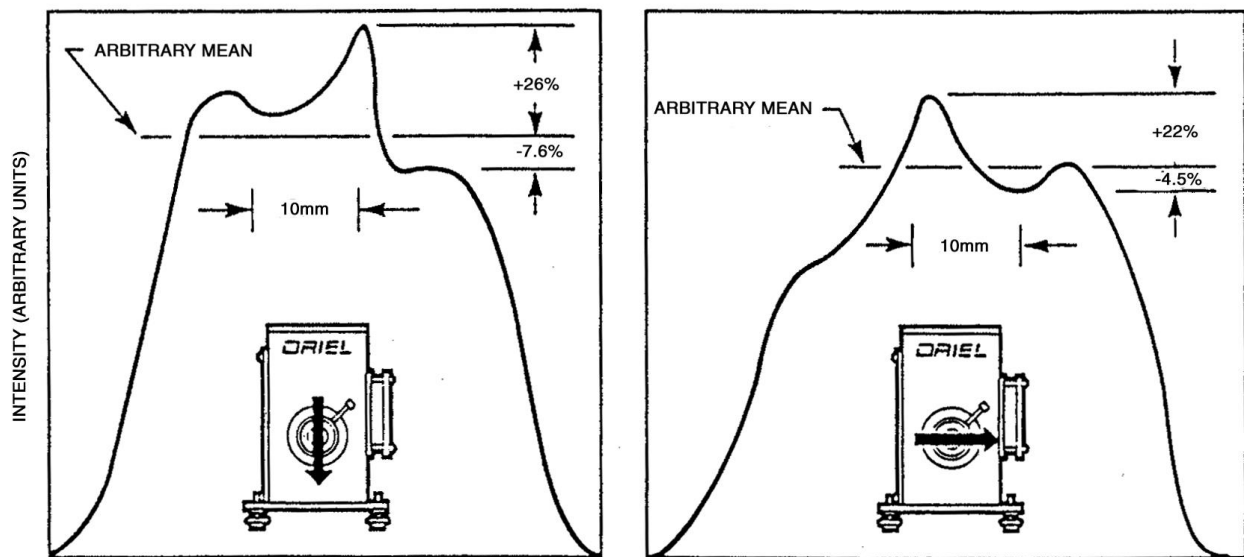


Figure 22 : The collimate output of a 200W Hg lamp in the vertical and horizontal planes

14.4 REAL LENSES

The condenser lenses are intended for efficient light collection. They operate at low $F/\#$ s. As a result the single element $F/0.85$ and $F/1$ lenses suffer from severe aberrations, particularly spherical aberration. The doublet $F/1.5$ lens is somewhat better. Note that the collimated lenses perform best while collimating the light from the source.

SPHERICAL ABERRATION

This aberration results from the fact that the ideal lens, the aberration free lens, is not spherical in shape. With the exception of the aspheric ($F/0.85$) condenser, these condenser lenses, like most lenses, have spherical surface shapes for economic manufacturing. In general, spherical aberration is decreased by dividing the refraction, (light bending) as equally as possible between as many surfaces as possible. The lens shapes (Plano-convex for the fused silica singlets) of our condensers and orientations minimize spherical aberration for the type of condenser and at the collimating position.

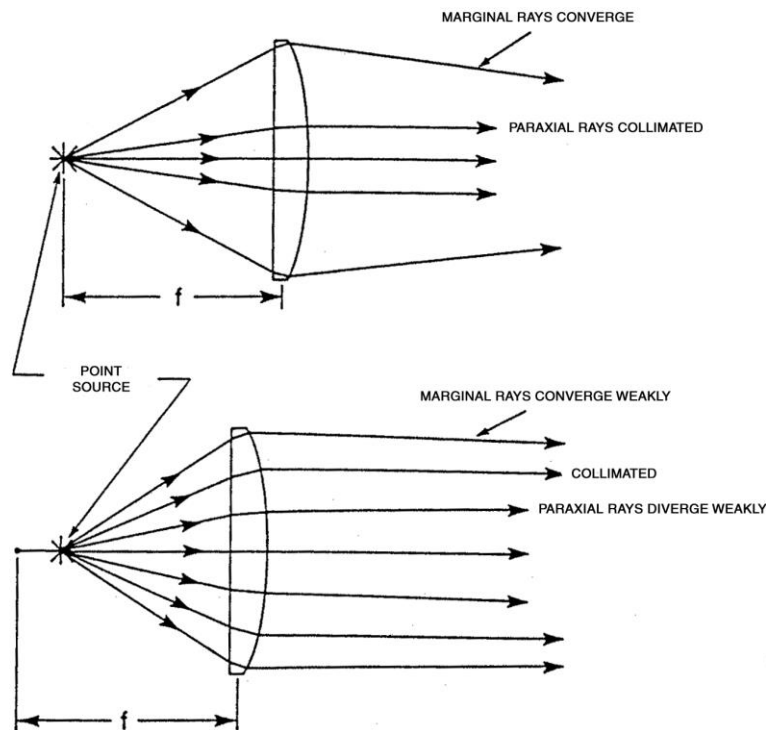


Figure 23 : Spherical Aberration

The marginal rays and the paraxial rays are collimated when the point source is at the paraxial focus, and the Plano surface of the lens faces the point source.

Consider the simple Plano convex lens collimating light from an ideal point source. With the Plano surface towards the point source and the point source at the (paraxial) focus the marginal rays converge while the paraxial rays are collimated. (Figure 23) This is due to spherical aberration. For the ideal, non-spherical lens shape, the paraxial and marginal rays are all collimated. If the source is located about $1/4 f$ inside the focus, the paraxial rays diverge

slightly and the marginal rays are almost collimated. This is often the optimum compromise for a single element-collimating lens (and has the added advantage of collecting more light from the source).

The lens adjustment on these condensers allows the lens to be moved closer to the source than the paraxial focus, so You can find the best position for your system.

CHROMATIC ABERRATION

The term "chromatic aberration" describes the variation of lens focal length with color (Figure 24) This variation is due to the change in lens index of refraction (n) with wavelength. As the wavelength goes up, n goes down and the focal length increases.

This causes problems in producing multi-wavelength collimated beams, but is usually a second order effect compared with source and spherical aberration limitations. Chromatic aberration usually becomes more important when UV wavelengths are to be collimated. The reduction in focal length (f) for a fused silica lens from the visible value of f to $0.91 f$ at 250 nm may require a change of lens for optimum performance. Contact Newport for details.

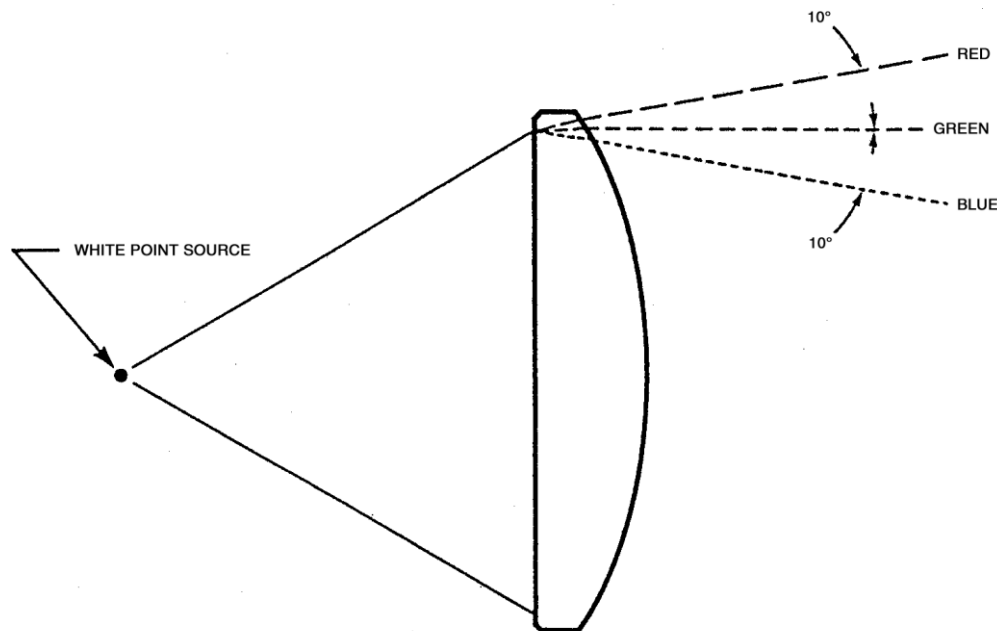


Figure 24 : Chromatic aberration: different wavelengths are focused at different points

14.5 HOW DO YOU POSITION THE CONDENSER TO GET A COLLIMATED BEAM?

You should image the source on the most distant wall in your laboratory (remembering appropriate safety measures) to get close to the collimation position. You can then move the lens barrel in a small amount for best collimation. If your wall is 2 meters away, a 1.3 mm adjustment is required. For 3 m and 4m, the corresponding numbers are 0.8 and 0.6 mm.

15. ADDITIONAL OPTIONS FOR THE Q-HOUSING

15.1 ADAPTER KIT FOR INTENSITY CONTROLLER SYSTEM

The Oriel Model 68950 Digital Exposure Controller interfaces with several Oriel Power Supplies to maintain a constant light level regardless of lamp aging, line voltage variations, or changes in ambient temperature. The 68950 includes a temperature-stabilized light sensing head, controller unit with readout, and three signal cables.

The Controller connects to the sensing head with two signal cables. The sensing head reads the real time light level of the source and converts the light signal to an electrical current. The current passes to the controller via the BNC cable. The controller will regulate the light level and control the arc lamp power supply through a third cable. See Figure 25.

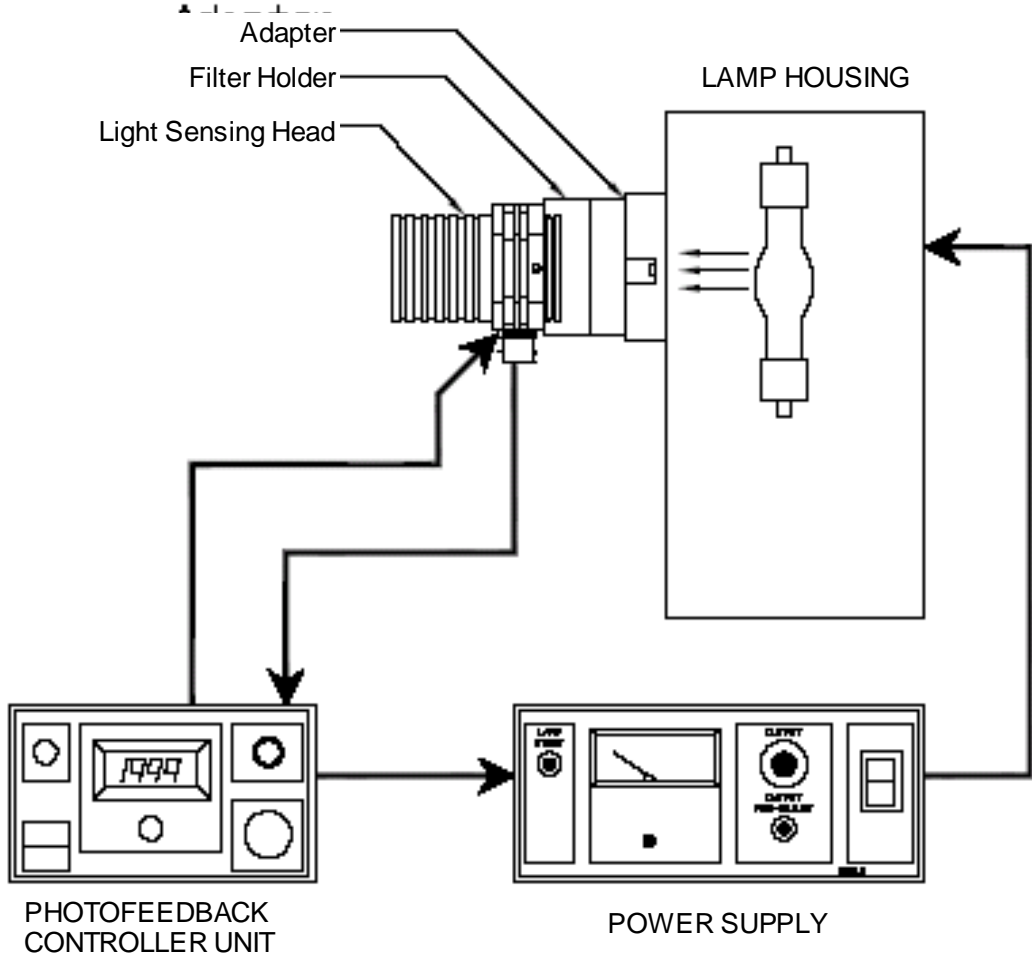


Figure 25 : Typical Intensity Controller System

15.2 HEAT ISOLATOR ADAPTER KIT

The optional Oriel Model 68954 Adapter Kit mounts the sensing head with the filter holder (included) to the Oriel Q Series housing. See figure 26

Figure 26.

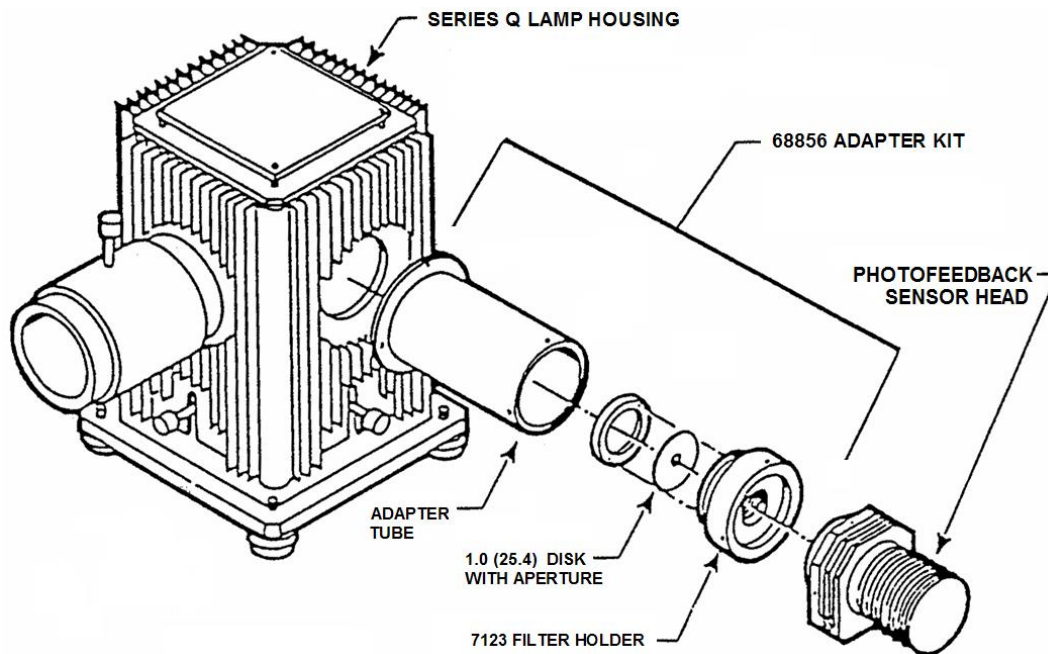


Figure 26 : 68954 Adapter Kit Mounting to the Q Series Housing

The Q housing transfers most of its heat out through the surface. Heat at the adapter-mounting surface will adversely affect the photo feedback detector head. For this reason the 68954 Adapter Kit mounts the detector head to the end of a four-inch length of PVC tube. This creates a thermal gradient from the housing to the detector head.

The 68954 includes a 7123 Filter Holder with a 1.0 mm and a 2.0 mm Aperture Disk to attenuate the beam hitting the photodiode. This is to insure that the light level applied to the photodiode does not exceed device specifications.

Note: This mounting technique will not work for Deuterium lamps since they do not have adequate side emission. A rod mounted sensing head used with a wedged beam splitter is the correct set up for a Deuterium lamp.

15.3 ELECTRONIC SAFETY SHUTTER

The Oriel Model 71446 Electronic Safety Shutter may be used for timed exposures or to close off the beam when your source is not in use. You can mount the shutter to the condenser output of any of the condensing lens assemblies listed in Section 3.3 or use a rod mount for an optical table. The Shutter Drive and interconnection cables are included. The Shutter Drive has TTL and Contact Closure inputs for interface with an Electronic Timer, Programmable Logic Controller,

Computer or other triggering device.

16. TROUBLESHOOTING

16.1 INTRODUCTION

This section deals with procedures to follow if you encounter specific difficulties in operating the 60000 Series Q. Additional details for repairing the lamp housing circuitry are available from Newport, but in general we do not advise attempting to work on the circuitry.

16.2 PROBLEMS

1. Arc Lamp will not light after several repeated presses of the “lamp start button” on the power supply.

The most common problem experienced when using this Lamp Housing is difficulty in starting an arc lamp. The problem may be in the Lamp Housing, in the Power Supply, in the Ignitor, or with the lamp. The following procedures should help you identify the problem area. If you cannot locate the source of the problem, and do not have other Lamp Housings or Ignitors/Power Supplies to interchange as a problem finding technique, we recommend you send **the complete system**, Ignitor, Power Supply, Lamp Housing and lamp to Newport for diagnosis of the failure mode.

Recommended Procedures:

1. Check that the Power Supply is operating - power breaker light, and fan.
2. Check the interlock LED and circuit. If there is no ignition then the interlock circuit may not be closed.
 - i. First, check that the cover of the Lamp Housing is fully closed thus activating the interlock switch. This may cure the problem. If not, check the interlock fully.
 - ii. The simple circuit is located inside the Lamp Housing. After removal of all power, check inside the housing for a broken wire.
 - iii. If you cannot trace the fault, contact Newport for advice. Do not operate the Lamp Housing with a defeated interlock.
3. Check the main power connections to the Lamp Housing and Ignitor/Power Supply.
4. Check the lamp and the internal connections to the lamp.
 - i. Remove the lamp power from the Housing, open the Lamp Housing and check the lamp and the contacts for proper contact. You may need to remove the lamp and examine it. Assuming no catastrophic damage, check for cracks in the lamp or lamp stem. Examine the molybdenum strip conductors inside the lamp stem for continuity. Small breaks in these conductors will prevent lamp operation. Examine the electrodes for excessive "burn back" or rounding. If the lamp has a trigger wire, check that it is properly attached.

2. Lamps do not reach the correct current/voltage.

If a mercury lamp is not running at the correct temperature, it will not reach the correct current/voltage. If the lamp is running at its rated power but the lamp current is too high and

the voltage is too low, the lamp is being overcooled. If the lamp is running at its rated power but the lamp voltage is too high and the current is too low, it is being under cooled.

Recommended Procedures:

1. Remove any source of external forced air that may be cooling the lamp housing.
2. Check for proper physical orientation of lamp.

3. You cannot image the arc properly, some distance from the Lamp Housing.

Normally you should be able to image the arc on a surface some feet or meters away from the Lamp Housing by simply adjusting the condenser lens position. You should also be able to adjust the lamp position to center the beam in the condenser barrel output aperture.

Recommended Procedures:

1. If you still cannot image the arc, remove all power from the Lamp Housing, allow the lamp time to cool, and then check for a broken condenser lens.
2. Open the Lamp Housing and check the vertical position of the lamp. The arc gap should be positioned in the center of the reflecting mirror. If you have the appropriate adapters for your lamp you should be able to position it correctly. If not, call Newport for further information.

4. You cannot image the arc close to the Lamp Housing.

You should not have a problem imaging the arc some feet or meters away from the Lamp Housing. You may have problems imaging the arc close to the housing because the condenser lens adjustment does not allow the condenser to be located in an appropriate position. As you move the lens out, the image plane moves towards the lens. The closest image plane is determined by how far out you can move the lens.

17. DECLARATION OF CONFORMITY

EC DECLARATION OF CONFORMITY

Manufacturer's name:	Newport Corporation
Manufacturer's address:	150 Long Beach Boulevard Stratford, CT 06615 USA
Declares that the product:	
Product Name:	Series Q Housing
Model Numbers:	60000, 60030
Type of equipment:	Electrical equipment for measurement, control and laboratory use in industrial locations
conforms to the following Product Specifications:	
Safety:	EN 61010-1:2010
EMC:	EN 61326-1:2006 +cor:2008 +cor:2010
complies with the following Directives:	
	2004/108/EC EMC Directive
	2006/95/EC Low Voltage Directive
and accordingly, carries the CE mark	
CE mark affixed:	Beaune; 12/01/2010
	
Domenic Assalone Site Manager, Oriel Products Division 150 Long Beach Boulevard Stratford, CT 06615 USA	Bruno Rety Authorized to compile technical documentation Group Director, PPT Instrument and Motion Europe Micro-Controle Division of Newport Corporation Zone Industrielle 45340 Beaune la Rolande, France

18. WARRANTY AND RETURNS

Newport warrants that all goods described in this manual (except consumables such as lamps, bulbs, filters, ellipses, etc.) shall be free from defects in material and workmanship. Such defects become apparent within the following period:

1. All products described here, except spare parts: one (1) year or 3000 hours of operation, whichever comes first, after delivery of the goods to the buyer.
2. Spare parts: ninety (90) days after delivery of goods to the buyer.

Newport's liability under this warranty is limited to the adjustment, repair and/or replacement of the defective part(s). During the above listed warranty period, Newport shall provide all materials to accomplish the repaired adjustment, repair or replacement. Newport shall provide the labor required during the above listed warranty period to adjust, repair and/or replace the defective goods at no cost to the buyer ONLY IF the defective goods are returned, freight prepaid, to a Newport designated facility. If goods are not returned to Newport, and the user chooses to have repairs made at their premises, Newport shall provide labor for field adjustment, repair and/or replacement at prevailing rates for field service, on a portal-to-portal basis.

Newport shall be relieved of all obligations and liability under this warranty of:

1. The user operates the device with any accessory, equipment or part not specifically approved or manufactured or specified by Newport unless buyer furnishes reasonable evidence that such installations were not the cause of the defect. This provision shall not apply to any accessory, equipment or part which does not affect the safe operation of the device.
2. The goods are not operated or maintained in accordance with Newport's instructions and specifications.
3. The goods have been repaired, altered or modified by other than authorized Newport personnel.
4. Buyer does not return the defective goods, freight prepaid, to a Newport facility within the applicable warranty period.

IT IS EXPRESSLY AGREED THAT THIS WARRANTY SHALL REPLACE ALL WARRANTIES OF FITNESS AND MERCHANTABILITY. BUYER HEREBY WAIVES ALL OTHER WARRANTIES, GUARANTEES, CONDITIONS OR LIABILITIES, EXPRESSED OR IMPLIED, ARISING BY LAW OR OTHERWISE, WHETHER OR NOT OCCASIONED BY NEWPORT'S NEGLIGENCE.

This warranty shall not be extended, altered or varied except by a written document signed by both parties. If any portion of this agreement is invalidated, the remainder of the agreement shall remain in full force and effect.

CONSEQUENTIAL DAMAGES

Newport shall not be responsible for consequential damages resulting from misfunctions or malfunctions of the goods described in this manual. Newport's total responsibility is limited to repairing or replacing the malfunctioning or malfunctioning goods under the terms and conditions of the above described warranty.

INSURANCE

Persons receiving goods for demonstrations, demo loan, temporary use or in any manner in which title is not transferred from Newport, shall assume full responsibility for any and all damage while in their care, custody and control. If damage occurs, unrelated to the proper and warranted use and performance of the goods, recipient of the goods accepts full responsibility for restoring the goods to their condition upon original delivery, and for assuming all costs and charges.

RETURNS

Before returning equipment to Newport for repair, please call the Customer Service Department at (203) 377-8282. Have your purchase order number available before calling Newport. The Customer Service Representative will give you a Return Material Authorization number (RMA). Having an RMA will shorten the time required for repair, because it ensures that your equipment will be properly processed. Write the RMA on the returned equipment's box. Equipment returned without a RMA may be rejected by the Newport Receiving Department. Equipment returned under warranty will be returned with no charge for the repair or shipping. Newport will notify you of any repairs not covered by the warranty, with the cost of the repair, before starting the work.

Please return equipment in the original (or equivalent) packaging. You will be responsible for damage incurred from inadequate packaging, if the original packaging is not used.

Include the cables, connector caps and antistatic materials sent and/or used with the equipment, so that Newport can verify correct operation of these accessories.